

ML3225 SERIES – Multilayer Chip Inductors

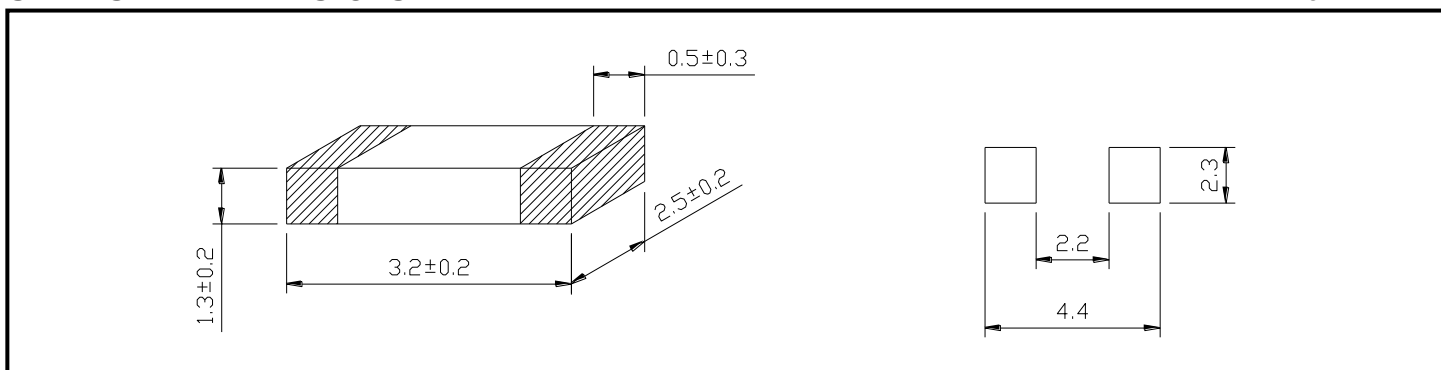


PART NUMBERING SYSTEM

ML	3225	—	2R2K	—	LF
TYPE	DIMENSIONS		INDUCTANCE		LEAD FREE

SHAPES AND DIMENSIONS

UNIT : mm



FEATURES

1. Monolithic structure for high reliability .
2. Excellent solderability and high heat resistance for either flow or reflow soldering .
3. Closed magnetic circuit avoids crosstalk and is suitable for high density printed circuit boards .

APPLICATION

1. Personal or notebook computers and peripheral equipment (CD-ROM , Hard Disk , Modem , Printers) .
2. Other various electronic appliances .

SPECIFICATION TABLE

PART NUMBER	INDUCTANCE (μ H)	Q. MIN.	L, Q TEST FREQUENCY (MHz)	SRF (MHz) MIN.	DCR (Ω) (max)	IDC(mA) (max)
ML3225-R10K-LF	0.10±10%	20	25	235	0.25	250
ML3225-R12K-LF	0.12±10%	20	25	220	0.30	250
ML3225-R15K-LF	0.15±10%	20	25	200	0.30	250
ML3225-R18K-LF	0.18±10%	20	25	185	0.40	250
ML3225-R22K-LF	0.22±10%	20	25	170	0.40	250



ML3225 SERIES – Multilayer Chip Inductors



SPECIFICATION TABLE

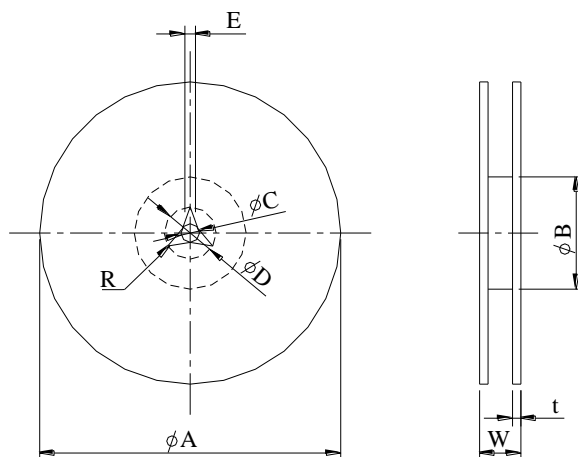
PART NUMBER	INDUCTANCE (μ H)	Q. MIN.	L, Q (MHz) TEST FREQUENCY	SRF (MHz) MIN.	DCR (Ω) (max)	IDC(mA) (max)
ML3225-R27K-LF	0.27 \pm 10%	20	25	150	0.50	250
ML3225-R33K-LF	0.33 \pm 10%	20	25	145	0.60	250
ML3225-R39K-LF	0.39 \pm 10%	25	25	135	0.50	200
ML3225-R47K-LF	0.47 \pm 10%	25	25	125	0.60	200
ML3225-R56K-LF	0.56 \pm 10%	25	25	115	0.70	150
ML3225-R68K-LF	0.68 \pm 10%	25	25	105	0.80	150
ML3225-R82K-LF	0.82 \pm 10%	25	25	100	0.90	150
ML3225-1R0K-LF	1.0 \pm 10%	45	10	75	0.40	100
ML3225-1R2K-LF	1.2 \pm 10%	45	10	65	0.50	100
ML3225-1R5K-LF	1.5 \pm 10%	45	10	60	0.50	50
ML3225-1R8K-LF	1.8 \pm 10%	45	10	55	0.50	50
ML3225-2R2K-LF	2.2 \pm 10%	45	10	50	0.60	50
ML3225-2R7K-LF	2.7 \pm 10%	45	10	45	0.60	50
ML3225-3R3K-LF	3.3 \pm 10%	45	10	41	0.70	50
ML3225-3R9K-LF	3.9 \pm 10%	45	10	38	0.80	50
ML3225-4R7K-LF	4.7 \pm 10%	45	10	35	0.90	50
ML3225-5R6K-LF	5.6 \pm 10%	50	4	32	0.70	25
ML3225-6R8K-LF	6.8 \pm 10%	50	4	29	0.80	25
ML3225-8R2K-LF	8.2 \pm 10%	50	4	26	0.90	25
ML3225-100K-LF	10 \pm 10%	50	2	24	1.00	25
ML3225-120K-LF	12 \pm 10%	50	2	22	1.05	15
ML3225-150K-LF	15 \pm 10%	35	1	19	0.70	5
ML3225-180K-LF	18 \pm 10%	35	1	18	0.70	5
ML3225-220K-LF	22 \pm 10%	35	1	16	0.90	5
ML3225-270K-LF	27 \pm 10%	35	1	14	0.90	5
ML3225-330K-LF	33 \pm 10%	35	0.4	13	1.05	5
ML3225-390K-LF	39 \pm 10%	40	2	11	3.00	10
ML3225-470K-LF	47 \pm 10%	40	2	10	3.40	10
ML3225-560K-LF	56 \pm 10%	40	2	9.5	3.80	4
ML3225-680K-LF	68 \pm 10%	40	1	9.5	3.00	4
ML3225-820K-LF	82 \pm 10%	40	1	9	3.40	4
ML3225-101K-LF	100 \pm 10%	40	1	8	3.80	4
ML3225-121K-LF	120 \pm 10%	30	0.4	6	3.00	2

Note : inductance 0.1uH to 82uH thickness is 1.30 \pm 0.3mm , inductance 100uH to 120uH thickness is 2.20 \pm 0.3mm ,

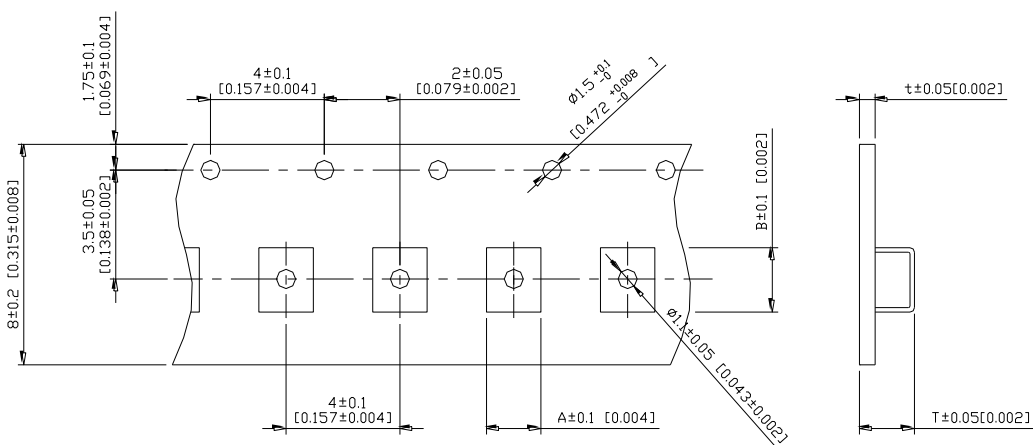
ML3225 SERIES - Multilayer Chip Inductors



PACKAGING SPECIFICATION



	A	B	C	D	E	W8	W12	t	R
T(ψ178mm) Reel	ψ178±2	ψ60±1	ψ13±0.8	ψ21±0.8	2	10±1.5	14.5±1.5	1.27±0.2	1



TYPE	A	B	T	t	T(ψ178mm)	Remark
ML3225	1.90	3.50	1.40	0.2	2,000 pcs/reel	Lead Free