

ML3216 SERIES – Multilayer Chip Inductors

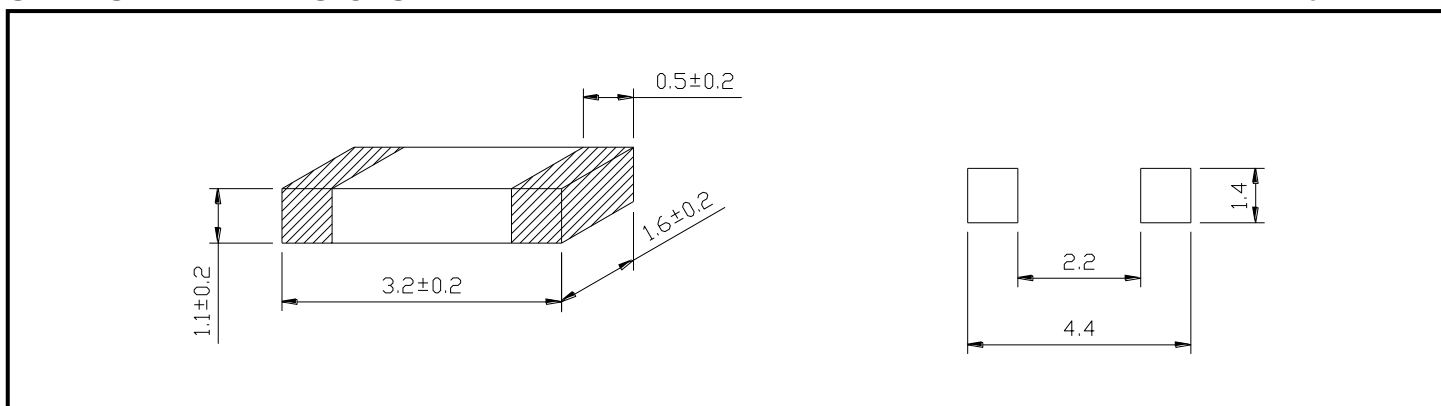


PART NUMBERING SYSTEM

ML	3216	—	1R0K	—	LF
TYPE	DIMENSIONS		INDUCTANCE		LEAD FREE

SHAPES AND DIMENSIONS

UNIT : mm



FEATURES

- Monolithic structure for high reliability .
- No cross coupling between inductors due to magnetic shielded . Ideal for high density installation .
- Dimensions are unified for automatic mounting .
- Excellent solder ability and high heat resistance for either flow or reflow soldering .
- Closed magnetic circuit avoids crosstalk and is suitable for high density printed circuit boards .
- Application for Personal or Notebook computers and peripheral equipment (CD-ROM , Hard Disk ...)

SPECIFICATION TABLE

PART NUMBER	INDUCTANCE (μH)	Q. MIN.	L, Q (MHz) TEST FREQUENCY	SRF (MHz) MIN.	DCR (Ω) (max)	IDC(mA) (max)
ML3216-47NM-LF	0.047±20%	20	50	320	0.15	300
ML3216-68NM-LF	0.068±20%	20	50	280	0.25	300
ML3216-82NM-LF	0.082±20%	20	50	255	0.25	300
ML3216-R10K-LF	0.10±10%	20	25	235	0.25	250
ML3216-R12K-LF	0.12±10%	20	25	220	0.30	250
ML3216-R15K-LF	0.15±10%	20	25	200	0.30	250
ML3216-R18K-LF	0.18±10%	20	25	185	0.40	250



ML3216 SERIES – Multilayer Chip Inductors

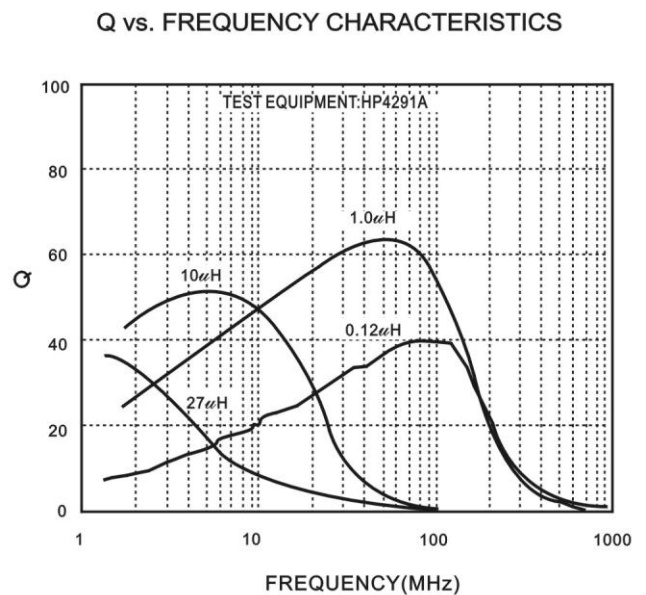
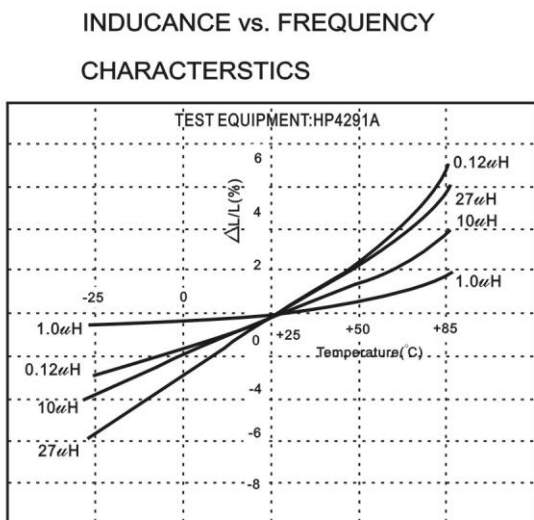
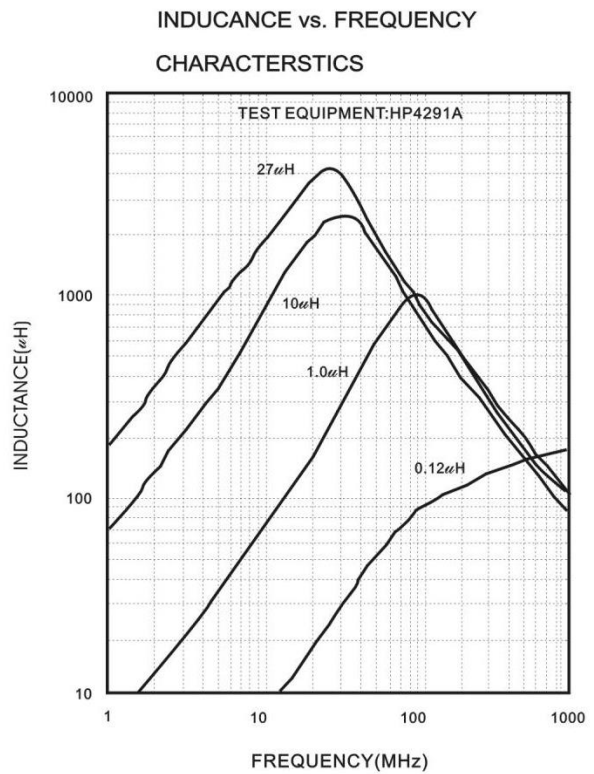
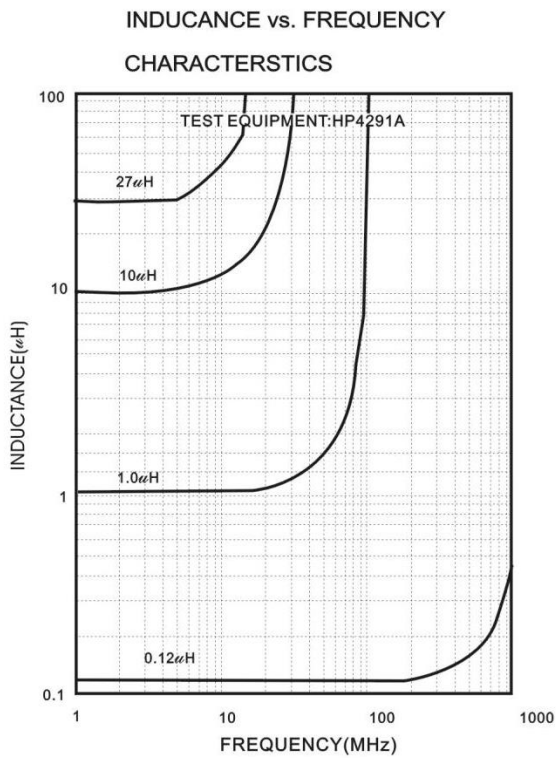


SPECIFICATION TABLE

PART NUMBER	INDUCTANCE (μ H)	Q. MIN.	L, Q (MHz) TEST FREQUENCY	SRF (MHz) MIN.	DCR (Ω) (max)	IDC(mA) (max)
ML3216-R22K-LF	0.22 \pm 10%	20	25	170	0.40	250
ML3216-R27K-LF	0.27 \pm 10%	20	25	150	0.50	250
ML3216-R33K-LF	0.33 \pm 10%	20	25	145	0.60	250
ML3216-R39K-LF	0.39 \pm 10%	25	25	135	0.50	200
ML3216-R47K-LF	0.47 \pm 10%	25	25	125	0.60	200
ML3216-R56K-LF	0.56 \pm 10%	25	25	115	0.70	150
ML3216-R68K-LF	0.68 \pm 10%	25	25	105	0.80	150
ML3216-R82K-LF	0.82 \pm 10%	25	25	100	0.90	150
ML3216-1R0K-LF	1.0 \pm 10%	45	10	75	0.40	100
ML3216-1R2K-LF	1.2 \pm 10%	45	10	65	0.50	100
ML3216-1R5K-LF	1.5 \pm 10%	45	10	60	0.50	50
ML3216-1R8K-LF	1.8 \pm 10%	45	10	55	0.50	50
ML3216-2R2K-LF	2.2 \pm 10%	45	10	50	0.60	50
ML3216-2R7K-LF	2.7 \pm 10%	45	10	45	0.60	50
ML3216-3R3K-LF	3.3 \pm 10%	45	10	41	0.70	50
ML3216-3R9K-LF	3.9 \pm 10%	45	10	38	0.80	50
ML3216-4R7K-LF	4.7 \pm 10%	45	10	35	0.90	50
ML3216-5R6K-LF	5.6 \pm 10%	50	4	32	0.70	25
ML3216-6R8K-LF	6.8 \pm 10%	50	4	29	0.80	25
ML3216-8R2K-LF	8.2 \pm 10%	50	4	26	0.90	25
ML3216-100K-LF	10 \pm 10%	50	2	24	1.00	25
ML3216-120K-LF	12 \pm 10%	50	2	22	1.05	15
ML3216-150K-LF	15 \pm 10%	35	1	19	0.70	5
ML3216-180K-LF	18 \pm 10%	35	1	18	0.70	5
ML3216-220K-LF	22 \pm 10%	35	1	16	0.90	5
ML3216-270K-LF	27 \pm 10%	35	1	14	0.90	5
ML3216-330K-LF	33 \pm 10%	35	0.4	13	1.05	5
ML3216-390K-LF	39 \pm 10%	40	2	11	3.00	10
ML3216-470K-LF	47 \pm 10%	40	2	10	3.40	10



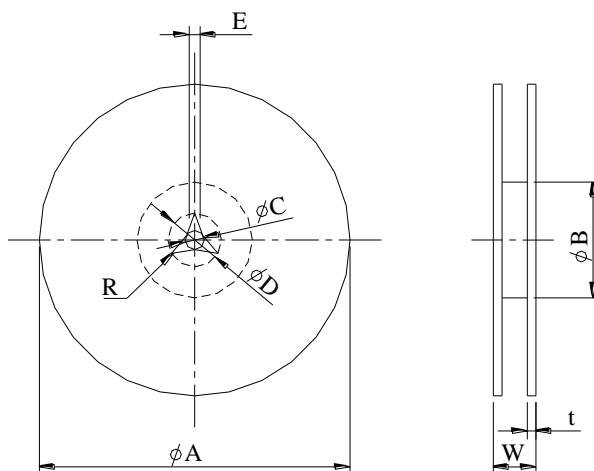
ML3216 SERIES - Multilayer Chip Inductors



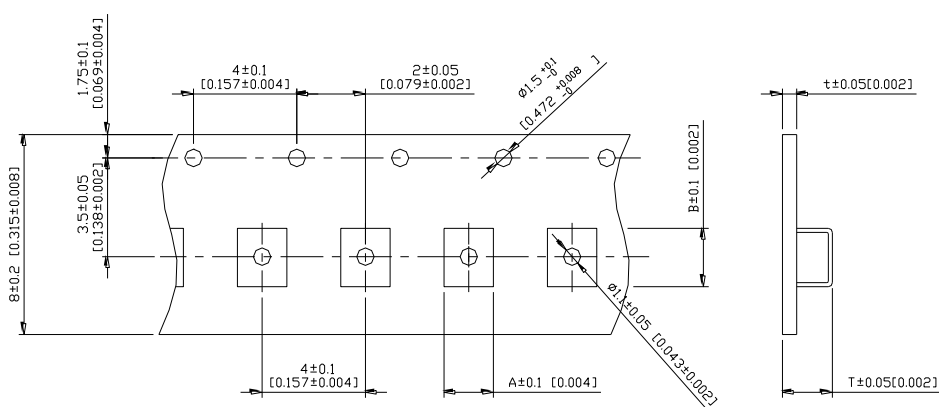
ML3216 SERIES - Multilayer Chip Inductors



PACKAGING SPECIFICATION



	A	B	C	D	E	W8	W12	t	R
T($\psi 178\text{mm}$) Reel	$\psi 178 \pm 2$	$\psi 60 \pm 1$	$\psi 13 \pm 0.8$	$\psi 21 \pm 0.8$	2	10 ± 1.5	14.5 ± 1.5	1.27 ± 0.2	1



TYPE	A	B	T	t	T($\psi 178\text{mm}$)	T($\psi 330\text{mm}$)
ML3216	1.90	3.50	1.40	0.2	3000 pcs/reel	-