



Coilmaster Electronics Co., Ltd.

9F-3 No.398, Huan Bei Rd. Chung Li City, Taoyuan 320, Taiwan
Tel : +886-3-422-8279 Fax : +886-3-422-8734

E-mail : info@coilmaster.com.tw

Web Site : www.coilmaster.com.tw

ML2520K SERIES – Multilayer Chip Power Inductors



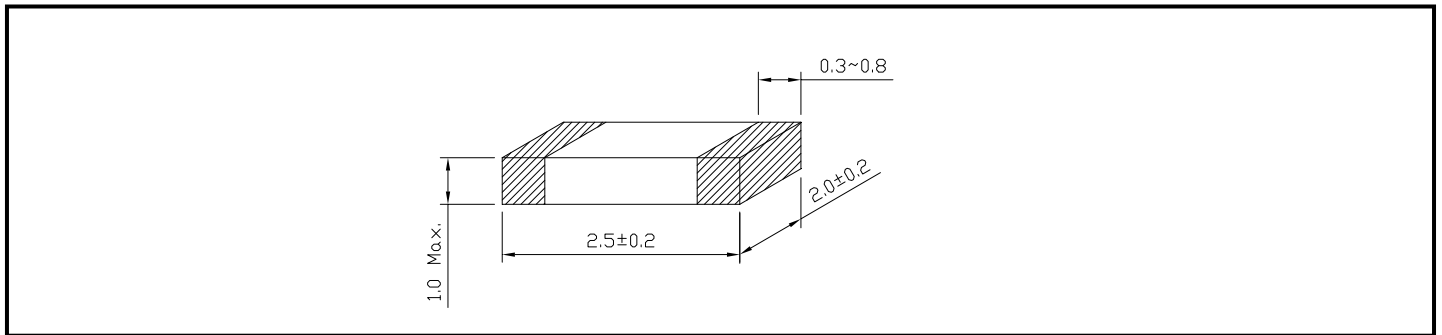
RoHS Compliant

PART NUMBERING SYSTEM

<u>ML</u>	<u>2520K</u>	—	<u>1 R 0 K</u>	—	<u>LF</u>
TYPE	DIMENSIONS		INDUCTANCE		LEAD FREE

SHAPES AND DIMENSIONS

UNIT : mm



ML2520K SERIES – Multilayer Chip Inductors

SPECIFICATION TABLE

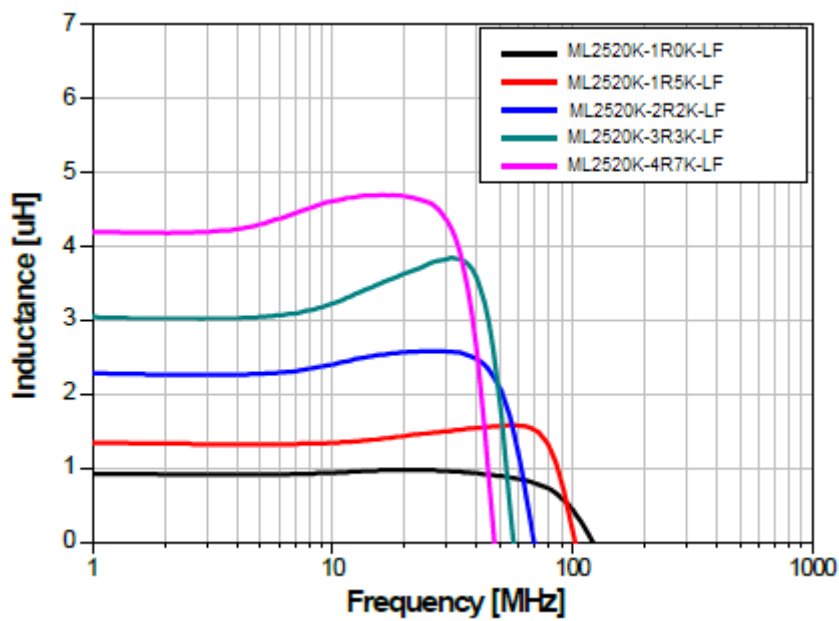
PART NUMBER	INDUCTANCE (μ H)	Q. MIN.	L, Q TEST FREQUENCY (MHz)	DCR (Ω) (max)	Rated Current (mA)
ML2520K-1R0K-LF	$1.0 \pm 20\%$	20	25	98	1300
ML2520K-1R5K-LF	$1.5 \pm 20\%$	20	25	110	1100
ML2520K-2R2K-LF	$2.2 \pm 20\%$	20	25	130	1000
ML2520K-3R3K-LF	$3.3 \pm 20\%$	20	25	170	900
ML2520K-4R7K-LF	$4.7 \pm 20\%$	20	25	245	800



ML2520K SERIES – Multilayer Chip Power Inductors



L vs Frequency

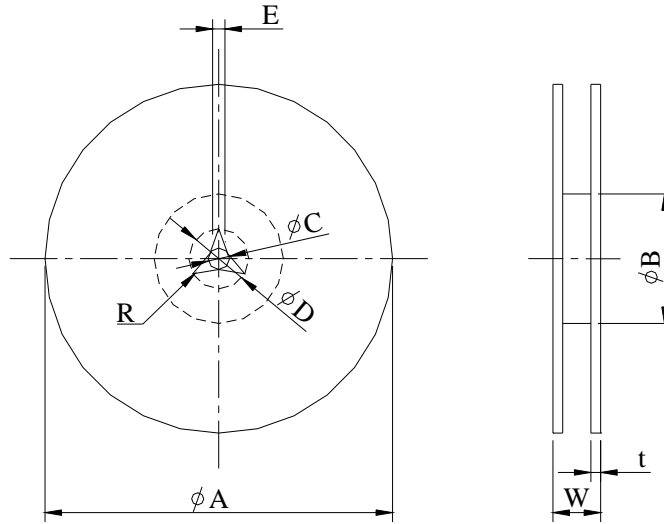




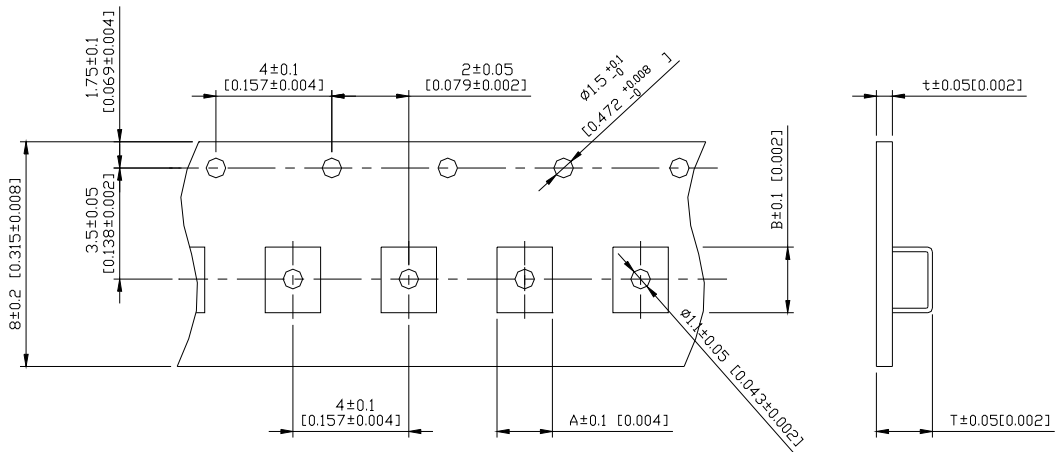
ML2520K SERIES – Multilayer Chip Power Inductors



PACKAGING SPECIFICATION



	A	B	C	D	E	W8	W12	t	R
T($\phi 178\text{mm}$) Reel	$\phi 178\pm 2$	$\phi 60\pm 1$	$\phi 13\pm 0.8$	$\phi 21\pm 0.8$	2	10 ± 1.5	14.5 ± 1.5	1.27 ± 0.2	1
T($\phi 330\text{mm}$) Reel	$\phi 330\pm 2$	$\phi 100\pm 2$	$\phi 13\pm 0.8$	$\phi 21\pm 0.8$	2	10 ± 1.5	14.5 ± 1.5	1.27 ± 0.2	1



TYPE	A	B	T	t	T($\phi 178\text{mm}$)	T($\phi 330\text{mm}$)
ML2012K	1.55	2.30	1.20	0.2	3000 pcs/reel	-