



ML2012K SERIES – Multilayer Chip Power Inductors



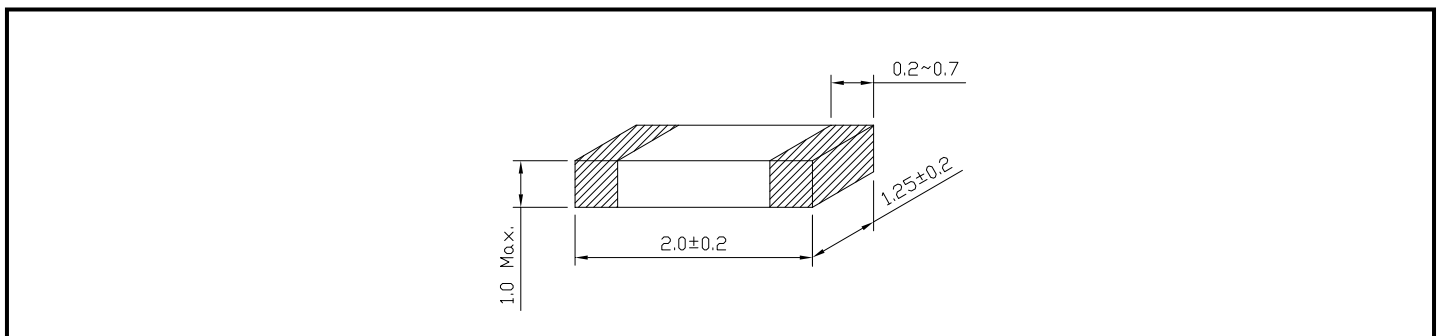
RoHS Compliant

PART NUMBERING SYSTEM

<u>ML</u>	<u>2012K</u>	—	<u>1R0K</u>	—	<u>LF</u>
TYPE	DIMENSIONS		INDUCTANCE		LEAD FREE

SHAPES AND DIMENSIONS

UNIT : mm



ML2012K SERIES – Multilayer Chip Inductors

SPECIFICATION TABLE

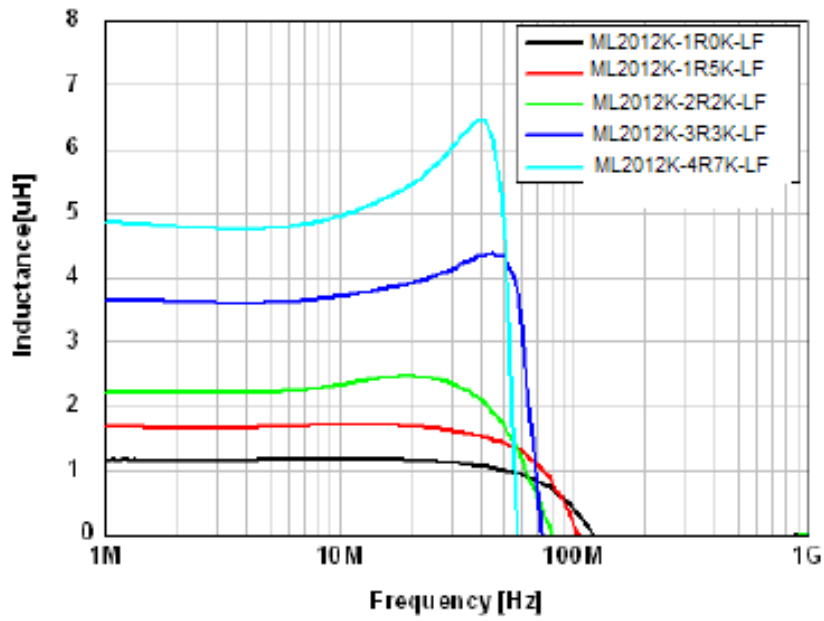
PART NUMBER	INDUCTANCE (μ H)	Q. MIN.	L, Q TEST FREQUENCY (MHz)	DCR (Ω) (max)	Rated Current (mA)
ML2012K-1R0K-LF	1.0 \pm 20%	20	25	110	1050
ML2012K-1R5K-LF	1.5 \pm 20%	20	25	147	960
ML2012K-2R2K-LF	2.2 \pm 20%	20	25	165	810
ML2012K-3R3K-LF	3.3 \pm 20%	20	25	225	730
ML2012K-4R7K-LF	4.7 \pm 20%	20	25	300	650



ML2012K SERIES – Multilayer Chip Power Inductors



L vs Frequency

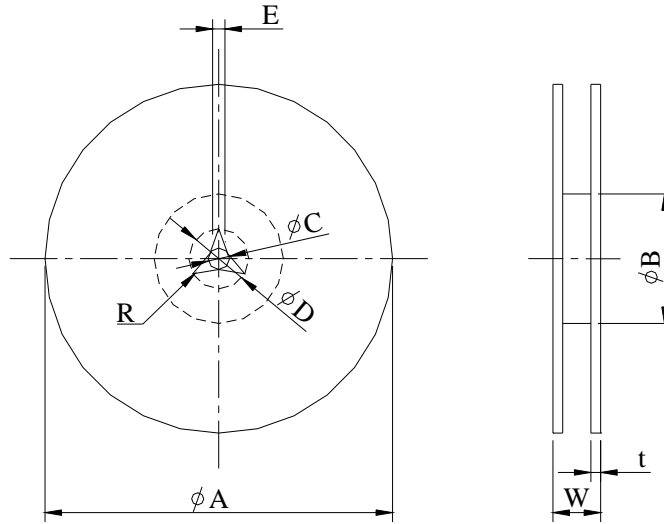




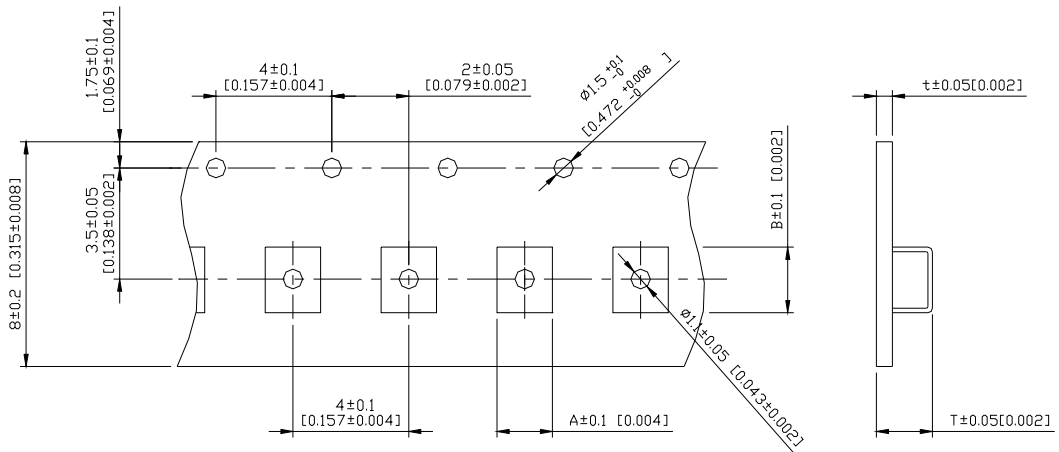
ML2012K SERIES – Multilayer Chip Power Inductors



PACKAGING SPECIFICATION



	A	B	C	D	E	W8	W12	t	R
T(φ 178mm) Reel	φ 178±2	φ 60±1	φ 13±0.8	φ 21±0.8	2	10±1.5	14.5±1.5	1.27±0.2	1
T(φ 330mm) Reel	φ 330±2	φ 100±2	φ 13±0.8	φ 21±0.8	2	10±1.5	14.5±1.5	1.27±0.2	1



TYPE	A	B	T	t	T(φ 178mm)	T(φ 330mm)
ML2012K	1.55	2.30	1.20	0.2	3000 pcs/reel	-