



ML2012HP SERIES - Multilayer Power Chip Inductors

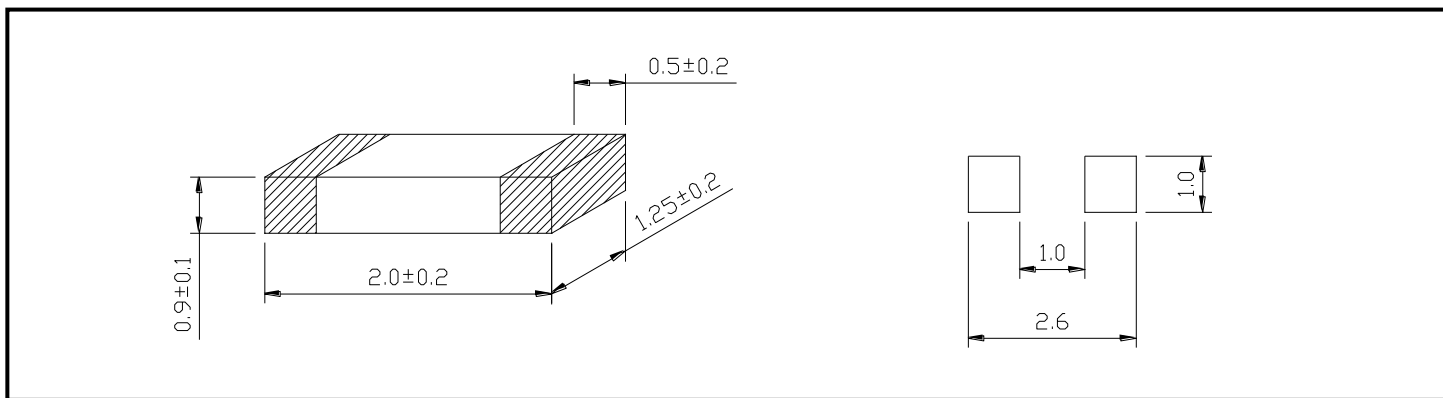


PART NUMBERING SYSTEM

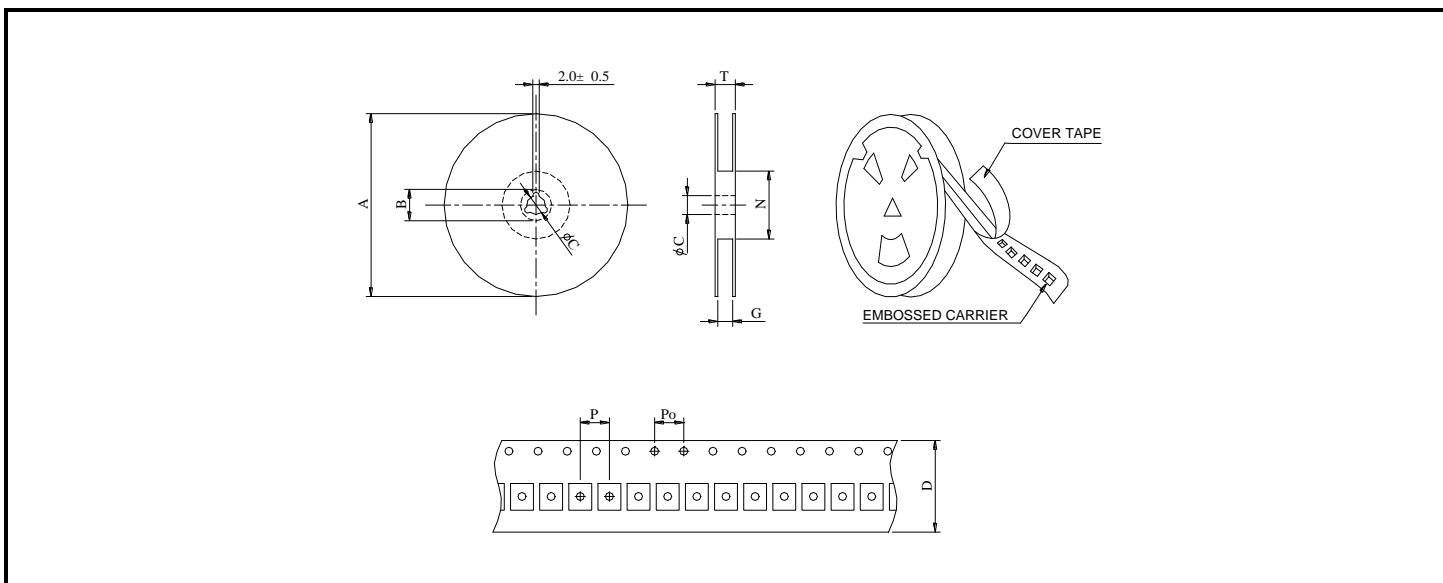
| | | | | | |
|-----------|---------------|---|-------------|---|-----------|
| ML | 2012HP | — | 1R5M | — | LF |
| TYPE | DIMENSIONS | | INDUCTANCE | | LEAD FREE |

SHAPES AND DIMENSIONS

UNIT : mm



PACKAGING SPECIFICATION



| SERIES | STAYLE | Q'TY (PCS) | DIMENSIONS (m/m) | | | | | | | | |
|----------|--------|------------|------------------|-------|-------|---|----------------|----------------|---|----|------|
| | | | A | B±0.8 | C±0.5 | D | G ⁰ | N ⁰ | P | Po | T |
| ML2012HP | 178 | 4000 | 178 | 21 | 13 | 8 | 18 | 50 | 4 | 4 | 22.4 |



ML2012HP SERIES - Multilayer Power Chip Inductors



SPECIFICATION TABLE

| PART NUMBER | INDUCTANCE (μ H) | DCR (Ω) (max) | L TEST FREQUENCY | RATED CURRENT (mA) Max. | SRF MHz (Min.) |
|------------------|--------------------------|---------------------------|---------------------|-------------------------------|-------------------|
| ML2012HP-R47M-LF | 0.47 \pm 20% | 0.10 \pm 25% | 1MHz /250mV | 1100 | 100 |
| ML2012HP-R68M-LF | 0.68 \pm 20% | 0.12 \pm 25% | 1MHz /250mV | 1000 | 100 |
| ML2012HP-R82M-LF | 0.82 \pm 20% | 0.14 \pm 25% | 1MHz /250mV | 900 | 90 |
| ML2012HP-1R0M-LF | 1.0 \pm 20% | 0.16 \pm 25% | 1MHz /250mV | 800 | 90 |
| ML2012HP-1R2M-LF | 1.2 \pm 20% | 0.18 \pm 25% | 1MHz /250mV | 800 | 80 |
| ML2012HP-1R5M-LF | 1.5 \pm 20% | 0.22 \pm 25% | 1MHz /250mV | 700 | 70 |
| ML2012HP-1R8M-LF | 1.8 \pm 20% | 0.22 \pm 25% | 1MHz /250mV | 700 | 60 |
| ML2012HP-2R2M-LF | 2.2 \pm 20% | 0.25 \pm 25% | 1MHz /250mV | 600 | 50 |
| ML2012HP-3R3M-LF | 3.3 \pm 20% | 0.22 \pm 25% | 1MHz /250mV | 500 | 40 |
| ML2012HP-4R7M-LF | 4.7 \pm 20% | 0.30 \pm 25% | 1MHz /250mV | 500 | 30 |

- Multilayer Ferrite Power Chip Inductors .
- Thickness = 0.90mm \pm 0.10mm
- Test Equipment : HP-E4991A Impedance Analyzer Meter or equivalent .
- Operating Temperature Range: -55 to +125°C
- Class of Magnetic Shield: Magnetic shield of ferrite
- Packing : 7" reel, machine-ready ,embossed plastic tape (4,000 parts per full reel).