

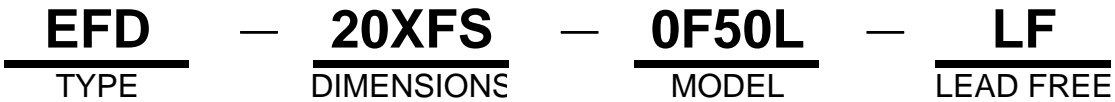


SMT PoE Transformers ~ EFD20XFS-LF SERIES



RoHS Compliant

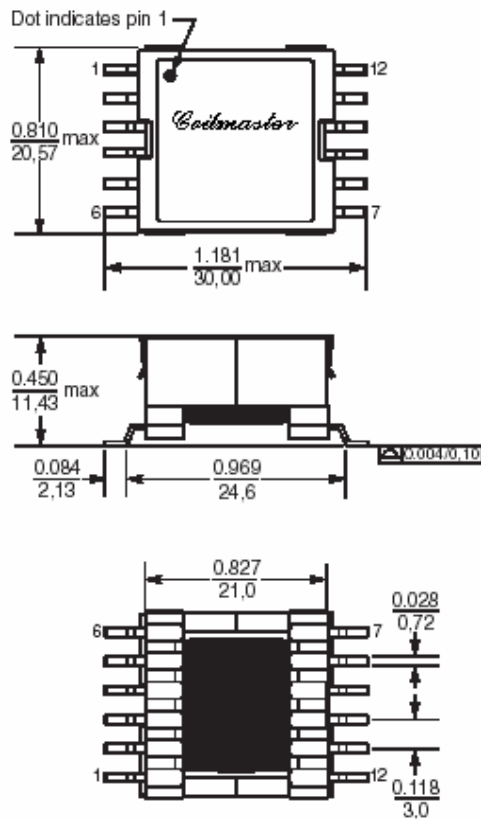
PART NUMBERING SYSTEM



FEATURES

- Designed to meet 30 W PoE objectives of IEEE 802.3at.
- Operates at 250KHz with 30 to 72 Volts input .
- 1500 Vrms isolation between the primary and the secondary windings

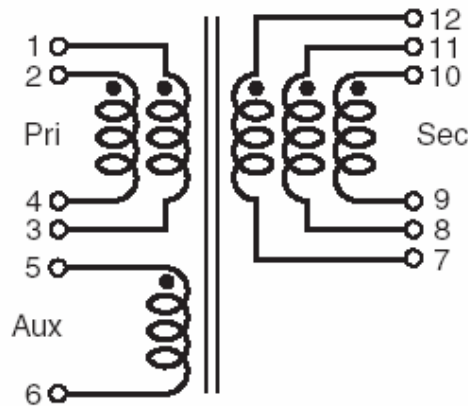
SHAPES AND DIMENSIONS





SMT PoE Transformers ~ EFD20XFS-LF SERIES

SCHEMATIC



The primary windings and secondary windings are to be connected in parallel on PC board.

ELECTRICAL CHARACTERISTICS :

PART NUMBER	Power (W)	Inductance (uH)@ 0A2	L@IPK3 Min.	DCR(ohm)4 MAX			Leakage L(uH)5 Max.	I PK3 (A)	Turns ratio6 Pri : Sec	Out Put7 Pri : Sec
				pri	sec	biase				
EFD20XFS-0F33L-LF	30	42±10%	37.8uH	0.07	0.0023	0.22	3	2.6	(1 : 0.09)	3.3V ; 9.0A
EFD20XFS-0F50L-LF	30	42±10%	37.8uH	0.069	0.005	0.225	1.6	2.6	(1 : 0.14)	5.0V ; 6.0A
EFD20XFS-0F12L-LF	30	42±10%	37.8uH	0.061	0.015	0.195	0.545	2.6	(1 : 0.33)	12 ; 2.5A
EFD20XFS-0F19L-LF	30	42±10%	37.8uH	0.06	0.037	0.195	0.43	2.6	(1 : 0.56)	19.5V ; 1.5A
EFD20XFS-0F24L-LF	30	42±10%	37.8uH	0.06	0.055	0.195	0.31	2.6	(1 : 0.67)	24V ; 1.25A

- 1) When ordering , please specify packaging code as following :
EFD20XFS-0F50L-LF
- 2) Inductance measured at 250 kHz, 0.25 Vrms, 0 Adc.
- 3) Peak primary current drawn at minimum input voltage
- 4) DCR is with the windings connected in paralle .
- 5) Leakage inductance is for the primary winding with the secondary windings shorted .
- 6) Turns ratio is with the primary winding with the secondary windings connected in paralle.
- 7) Output is with the secondary windings connected in parallel .
Output of the auxilliary winding is 12V .
- 8) Operating temperature range from -40°C to +125°C .
- 9) Electrical specifications at 25°C