



Common Mode Choke ~ CMT2212B SERIES

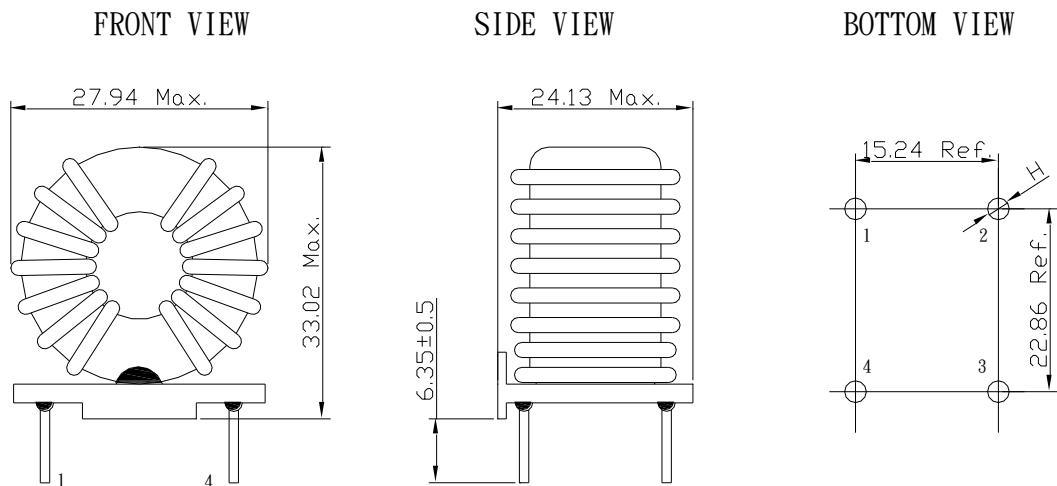


PART NUMBERING SYSTEM

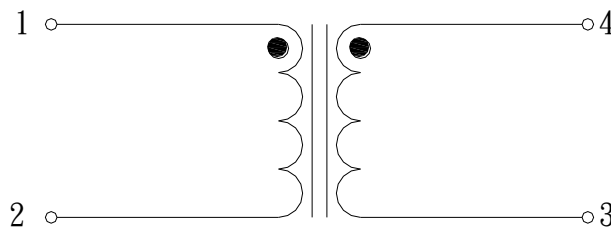
CMT	2212B	—	112N	—	LF
TYPE	DIMENSIONS		IMPEDANCE		LEAD FREE

SHAPES AND DIMENSIONS

UNIT : mm



SCHEMATIC DRAWING



Common Mode Choke ~ CMT2212B SERIES



SPECIFICATION TABLE

PART NUMBER	INDUCTANCE (mH)	DCR (mΩ) (max)	I _{rms} (A) (max)	TEST FREQ. (f)	Dimension H(mm)
CMT2212BF-141N-LF	0.143±30%	1.52	27.3	10KHz	2.08
CMT2212BF-361N-LF	0.367±30%	2.80	20.1	10KHz	1.88
CMT2212BF-461N-LF	0.464±30%	4.17	16.5	10KHz	1.70
CMT2212BF-571N-LF	0.574±30%	5.31	14.6	10KHz	1.55
CMT2212BF-971N-LF	0.970±30%	8.50	11.5	10KHz	1.40
CMT2212BF-112N-LF	1.12±30%	12.24	9.6	10KHz	1.02
CMT2212BF-162N-LF	1.65±30%	18.48	7.8	10KHz	1.17
CMT2212BF-182N-LF	1.85±30%	23.60	6.9	10KHz	1.07
CMT2212BF-222N-LF	2.29±30%	33.15	5.8	10KHz	0.97
CMT2212BF-272N-LF	2.77±30%	46.44	4.9	10KHz	0.89
CMT2212BF-302N-LF	3.03±30%	58.92	4.4	10KHz	0.81
CMT2212BF-382N-LF	3.88±30%	83.53	3.7	10KHz	0.76
CMT2212BF-582N-LF	5.87±30%	132.4	2.9	10KHz	0.71
CMT2212BT-301N-LF	0.300±30%	1.52	27.3	10KHz	2.08
CMT2212BT-761N-LF	0.768±30%	2.80	20.1	10KHz	1.88
CMT2212BT-971N-LF	0.972±30%	4.17	16.5	10KHz	1.70
CMT2212BT-122N-LF	1.20±30%	5.31	14.6	10KHz	1.55
CMT2212BT-202N-LF	2.02±30%	8.50	11.5	10KHz	1.40
CMT2212BT-232N-LF	2.35±30%	12.24	9.6	10KHz	1.02
CMT2212BT-342N-LF	3.46±30%	18.48	7.8	10KHz	1.17
CMT2212BT-382N-LF	3.88±30%	23.60	6.9	10KHz	1.07
CMT2212BT-482N-LF	4.80±30%	33.15	5.8	10KHz	0.97
CMT2212BT-582N-LF	5.80±30%	46.44	4.9	10KHz	0.89
CMT2212BT-632N-LF	6.34±30%	58.92	4.4	10KHz	0.81
CMT2212BT-812N-LF	8.11±30%	83.53	3.7	10KHz	0.76
CMT2212BT-123N-LF	12.28±30%	132.4	2.9	10KHz	0.71

- Inductance is measured with a LCR meter 4284A or equivalent.
- Test voltage : 1500V, 50Hz , 5mA , 2sec.
- Operating temperature range -40°C to +125°C
- Electrical specifications at 25°C