

SEP0512EB SERIES ~ High Current Power Inductors



PART NUMBERING SYSTEM

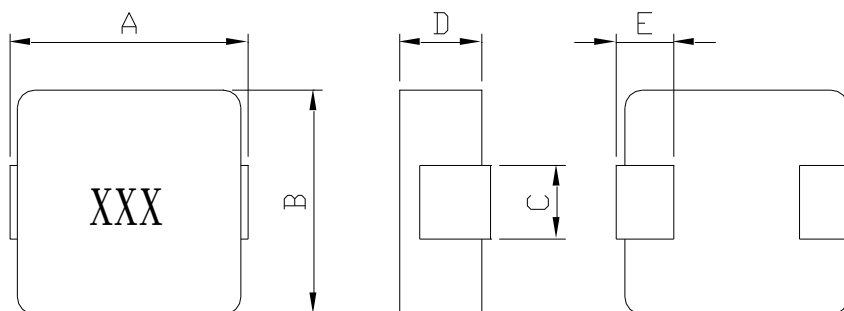
SEP	0512EB	—	3R3M	—	LF
TYPE	DIMENSIONS		INDUCTANCE		LEAD FREE

FEATURES :

- Low profile (1.2mm max. height) and 5.7 mm max. square.
- Magnetically shielded and low DC resistance and Suitable for large current .
- Ultra low buzz noise, due to composite construction .
- Ideal for DC – DC converter inductor application in hand help personal Computer ,etc .
- Frequency range up to 5MHZ .
- Large current handling capability .

SHAPES AND DIMENSIONS :

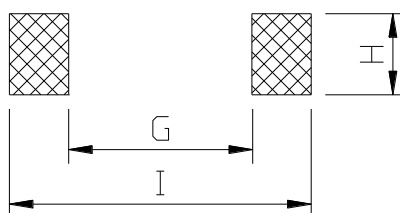
UNIT : mm



A=5.9 Max. B=5.75 Max. C=2.0±0.3 D=1.20 Max. E=1.5±0.5

RECOMMENDED PATTERNS

UNIT : mm



H=2.5 G= 2.2 I = 6.0

SEP0512EB SERIES ~ High Current Power Inductors

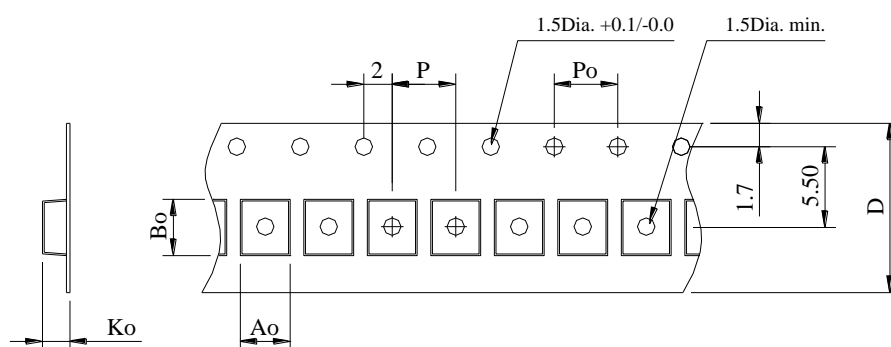


SPECIFICATION TABLE

PART NUMBER	INDUCTANCE (μ H)	I _{sat} (A) (Typ.)	I _{rms} (A) (Typ.)	DCR (m Ω) (Max.)	TEST FREQ. (f)
SEP0512EB-R68M-LF	0.68 \pm 20%	10.0	6.0	23.0	100KHz/0.25V
SEP0512EB-1R0M-LF	1.0 \pm 20%	8.0	5.0	33.0	100KHz/0.25V
SEP0512EB-1R5M-LF	1.5 \pm 20%	6.0	4.0	50.0	100KHz/0.25V
SEP0512EB-2R2M-LF	2.2 \pm 20%	6.0	3.3	68.0	100KHz/0.25V
SEP0512EB-3R3M-LF	3.3 \pm 20%	5.0	3.0	84.0	100KHz/0.25V
SEP0512EB-4R7M-LF	4.7 \pm 20%	4.0	2.5	135	100KHz/0.25V
SEP0512EB-5R6M-LF	5.6 \pm 20%	3.5	2.2	175	100KHz/0.25V
SEP0512EB-6R8M-LF	6.8 \pm 20%	3.0	2.0	192	100KHz/0.25V
SEP0512EB-100M-LF	10.0 \pm 20%	2.0	1.5	195	100KHz/0.25V

- I_{sat} : DC current at which the inductance drops 30% (typ) from its value without current.
- I_{rms} : Average current for a 40°C temperature rise above 25°C ambient.
- Operating temperature range -55°C to +125°C , Electrical specifications at 25°C.

PACKAGING SPECIFICATION



STAYLE	Q'TY (PCS)	DIMENSIONS (m/m)					
		Ao	Bo	Ko	P	Po	D \pm 0.3
13"	2,000	6.2 \pm 0.1	5.9 \pm 0.1	1.9 \pm 0.1	12	4.0	16