

SEP0415E SERIES~ High Current SMD Power Inductors



PART NUMBERING SYSTEM

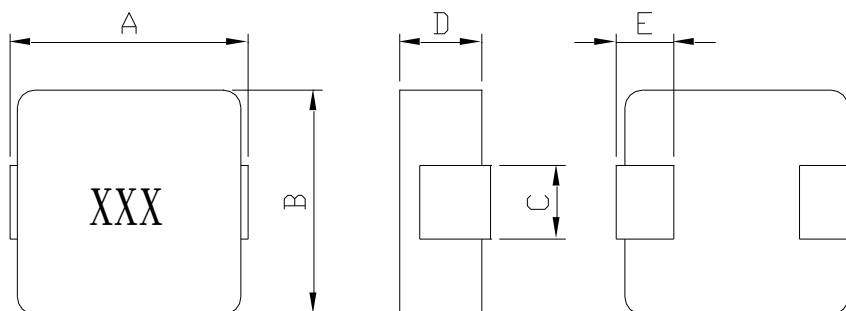
SEP	0415E	—	2R2M	—	LF
TYPE	DIMENSIONS		INDUCTANCE		LEAD FREE

FEATURES :

- Low profile (1.5mm max. height) and 4.6 mm max. square.
- Magnetically shielded and low DC resistance and Suitable for large current .
- Ultra low buzz noise, due to composite construction .
- Frequency range up to 5MHZ .
- Large current handling capability .

SHAPES AND DIMENSIONS :

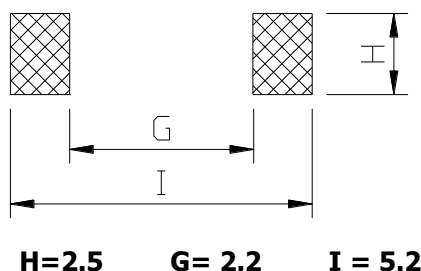
UNIT : mm



A=5.0 Max. B=4.4 Max. C=1.5±0.3 D=1.50 Max. E=1.0±0.5

RECOMMENDED PATTERNS

UNIT : mm



SEP0415E SERIES~ High Current SMD Power Inductors

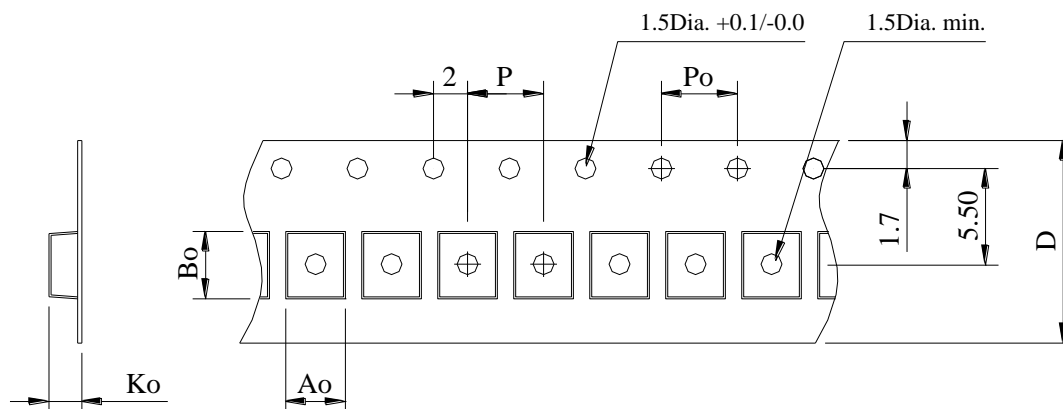


SPECIFICATION TABLE

PART NUMBER	INDUCTANCE (μH)	Isat (A) (Typ.)	Irms (A) (Typ.)	DCR (m Ω) (Max.)	TEST FREQ. (f)
SEP0415E-1R0M-LF	1.0 \pm 20%	7.00	4.00	42.0	100KHz/0.25V
SEP0415E-1R5M-LF	1.5 \pm 20%	6.00	3.50	50.0	100KHz/0.25V
SEP0415E-2R2M-LF	2.2 \pm 20%	5.00	3.00	79.0	100KHz/0.25V
SEP0415E-3R3M-LF	3.3 \pm 20%	4.50	2.30	132	100KHz/0.25V
SEP0415E-4R7M-LF	4.7 \pm 20%	4.00	2.00	146	100KHz/0.25V

- Isat : DC current at which the inductance drops 30% (typ) from its value without current.
- I rms : Average current for a 40°C temperature rise above 25°C ambient.
- Operating temperature range -55°C to +125°C , Electrical specifications at 25°C.

PACKAGING SPECIFICATION



STAYLE	Q' TY (PCS)	DIMENSIONS (m/m)					
		Ao	Bo	Ko	P	Po	D \pm 0.3
13"	2,000	4.6 \pm 0.1	5.0 \pm 0.1	1.8 \pm 0.1	8	4.0	12