

# High Current SMD Power Inductors

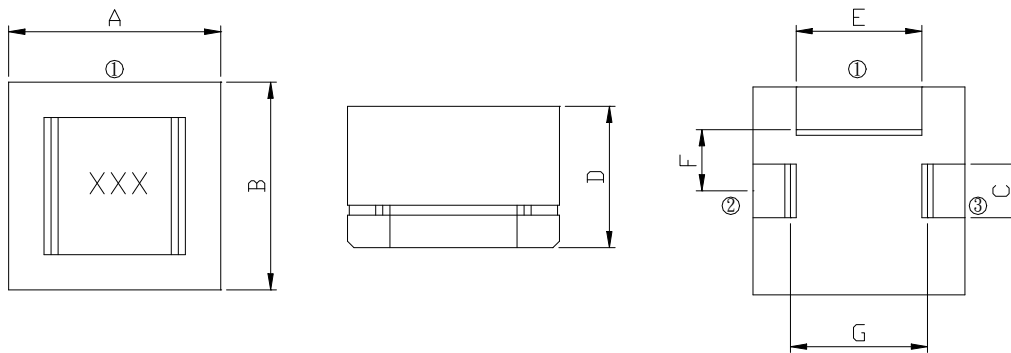


## PART NUMBERING SYSTEM

<u>SEP</u>	<u>1409</u>	—	<u>1R2M</u>	—	<u>LF</u>
TYPE	DIMENSIONS		INDUCTANCE		LEAD FREE

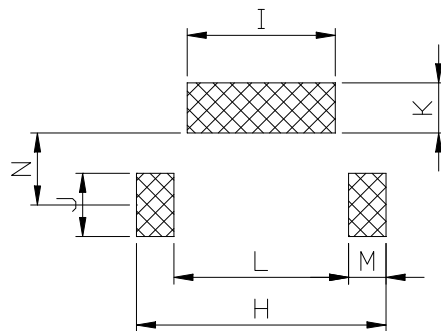
## SHAPES AND DIMENSIONS :

UNIT : mm



A=15.0±0.4 B=15.0±0.4 C=4.0±0.25 D=9.5±0.5 E=7.8±0.5 F=5.5Ref. G=10.0 Ref.

## RECOMMENDED PATTERNS



H=15.6 Ref. I=8.6 Ref. J=4.4 Ref. K=2.8 Ref. L=9.2 Ref. M=3.2 Ref. N=2.8 Ref.



**Coilmaster Electronics Co., Ltd.**  
9F-3 No.398, Huan Bei Rd. Chung Li City, Taoyuan 320, Taiwan

Email: [sales@bec.co.uk](mailto:sales@bec.co.uk)  
Web: [www.bec.co.uk](http://www.bec.co.uk)



## High Current SMD Power Inductors

### SPECIFICATION TABLE

PART NUMBER	INDUCTANCE ( $\mu$ H)	DCR (m $\Omega$ ) (Max.)	Isat(A) $\Delta L/L0A=20\%$ (Typ.)	Irms(A) $\Delta T=40^{\circ}C$ (Max.)	TEST FREQ. ( f )
SEP1409-1R2M-LF	1.20 $\pm$ 20%	2.0	19.0	16.0	100KHz/0.1V
SEP1409-1R4M-LF	1.40 $\pm$ 20%	2.0	18.0	15.0	100KHz/0.1V
SEP1409-1R8M-LF	1.80 $\pm$ 20%	3.0	18.0	14.0	100KHz/0.1V
SEP1409-2R0M-LF	2.00 $\pm$ 20%	3.0	16.0	13.0	100KHz/0.1V
SEP1409-2R5M-LF	2.50 $\pm$ 20%	3.4	14.5	12.0	100KHz/0.1V
SEP1409-2R8M-LF	2.80 $\pm$ 20%	3.4	14.0	12.0	100KHz/0.1V
SEP1409-3R0M-LF	3.00 $\pm$ 20%	4.3	13.0	10.0	100KHz/0.1V
SEP1409-3R6M-LF	3.60 $\pm$ 20%	4.3	12.0	10.0	100KHz/0.1V
SEP1409-3R9M-LF	3.90 $\pm$ 20%	6.5	11.5	9.0	100KHz/0.1V
SEP1409-4R5M-LF	4.50 $\pm$ 20%	6.5	10.5	8.0	100KHz/0.1V
SEP1409-4R8M-LF	4.80 $\pm$ 20%	7.2	10.0	7.0	100KHz/0.1V
SEP1409-5R6M-LF	5.60 $\pm$ 20%	7.2	9.0	6.0	100KHz/0.1V

- Isat : DC current at which the inductance drops 20% (typ) from its value without current.
- Irms : Average current for a 40°C temperature rise above 25°C ambient.
- Operating temperature range -40°C to +125°C ,
- Electrical specifications at 25°C .
- Packing : 13" reel, machine-ready ,embossed plastic tape ( 160 parts per full reel).