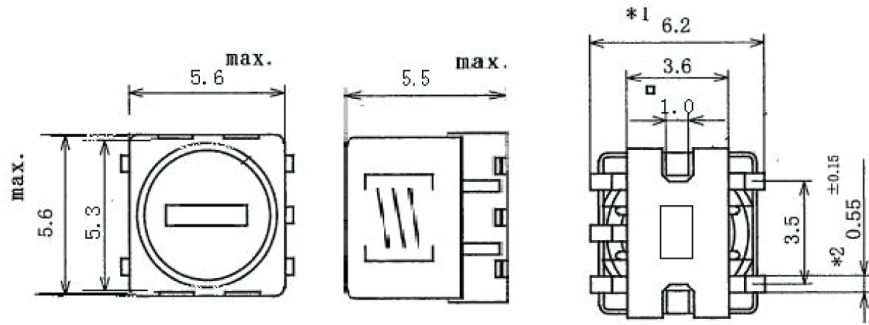


Revision:	Revision Note:	ECN#:	Date
Original	-	-	28 Feb. 2017

Physical Dimensions (Unit: mm)



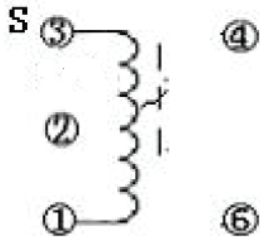
Electrical Characteristics



Test Frequency: 796kHz

Variable Inductance: 680μH ±4% (Min.)

Q: 40 Min.

Connection (Bottom)



	Date: 28 Feb. 2017	Scale: None	Reference:
	Title: Variable Coil, 680μH		
	 www.ctparts.com		
Filename:		Part Number: 02-02-7930F	Revision: Original
		Sheet: 1 of 1	