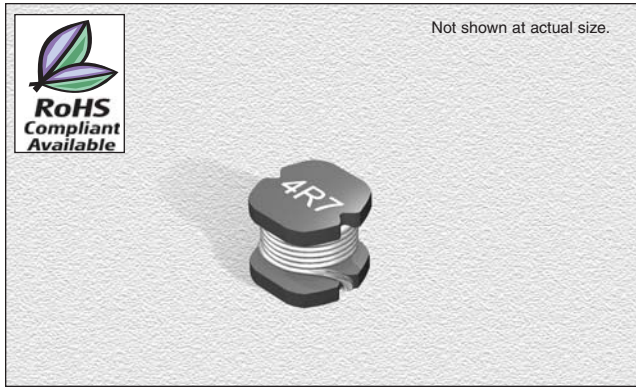


02-189 Series

From 1.0 μ H to 220 μ H

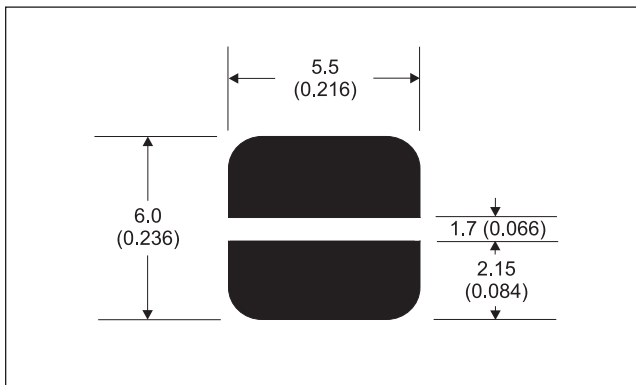
ENGINEERING KIT #7



CHARACTERISTICS

- Description:** SMD power inductor
- Applications:** VTR power supplies, OA equipment, LCD televisions, PC notebooks, portable communication equipment, DC/DC converters
- Operating Temperature:** -30°C to +100°C
- Inductance Tolerance:** $\pm 10\%$, $\pm 15\%$, $\pm 20\%$
- Testing:** Inductance is tested on an HP4284A or HP4285A at specified frequency
- Packaging:** Tape & Reel
- Marking:** Marked with inductance code
- Rated DC:** The value of current when the inductance is 10% lower than its initial value at 0 Adc or D.C. current when at $\Delta T = 40^\circ\text{C}$ whichever is lower
- Miscellaneous:** RoHS Compliant available
- Additional Information:** Additional electrical & physical information available upon request
- Samples available. See website for ordering information.**

PAD LAYOUT



SPECIFICATIONS

Part numbers indicate tolerance available.

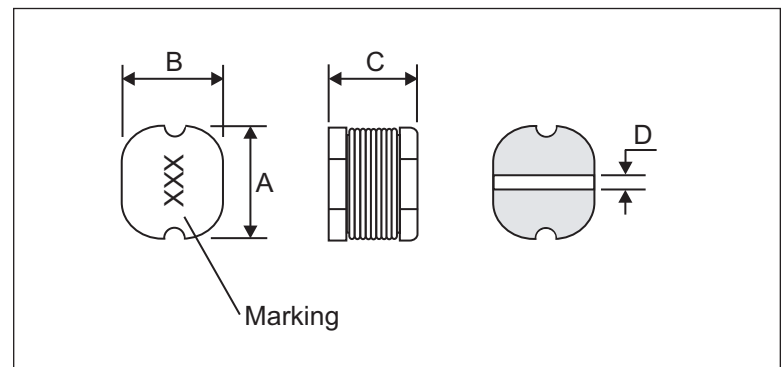
K = $\pm 10\%$, L = $\pm 15\%$, M = $\pm 20\%$

02-189E Please specify "F" for RoHS Compliant

Part Number	Inductance (μ H)	L Test Freq. (. Hz)	DCR Max. (Ω)	Rated DC (A)
02-189_-1R0M	1.0	7.96M	.015	5.9
02-189_-1R2M	1.2	7.96M	.020	5.2
02-189_-1R5M	1.5	7.96M	.025	4.7
02-189_-1R8M	1.8	7.96M	.030	4.0
02-189_-2R2M	2.2	7.96M	.035	3.8
02-189_-2R7M	2.7	7.96M	.040	3.4
02-189_-3R3M	3.3	7.96M	.045	3.3
02-189_-3R9M	3.9	7.96M	.050	2.9
02-189_-4R7M	4.7	7.96M	.060	2.8
02-189_-5R6M	5.6	7.96M	.070	2.4
02-189_-6R8M	6.8	7.96M	.080	2.1
02-189_-8R2M	8.2	7.96M	.090	2.0
02-189_-100M	10	2.52M	.10	1.4
02-189_-120M	12	2.52M	.12	1.4
02-189_-150M	15	2.52M	.14	1.3
02-189_-180M	18	2.52M	.15	1.2
02-189_-220M	22	2.52M	.18	1.1
02-189_-270M	27	2.52M	.20	.97
02-189_-330L	33	2.52M	.23	.88
02-189_-390L	39	2.52M	.32	.80
02-189_-470L	47	2.52M	.37	.72
02-189_-560K	56	2.52M	.42	.68
02-189_-680K	68	2.52M	.46	.61
02-189_-820K	82	2.52M	.60	.58
02-189_-101K	100	1.0k	.70	.52
02-189_-121K	120	1.0k	.93	.48
02-189_-151K	150	1.0k	1.1	.40
02-189_-181K	180	1.0k	1.4	.38
02-189_-221K	220	1.0k	1.6	.35

PHYSICAL DIMENSIONS

Size	A	B	C	D
mm	5.8 \pm 0.3	5.2 \pm 0.3	4.5 \pm 0.4	1.3
inches	0.23 \pm 0.012	0.21 \pm 0.012	0.18 \pm 0.016	0.051



10.19.05

Manufacturer of Inductors, Chokes, Coils, Beads, Transformers & Toroids

800-684-5322 Inside US 949-453-1811 Outside US

Copyright © 2005 by CT Magnetics, DBA Central Technologies. All rights reserved.

CT Magnetics reserves the right to make improvements or change specifications without notice

