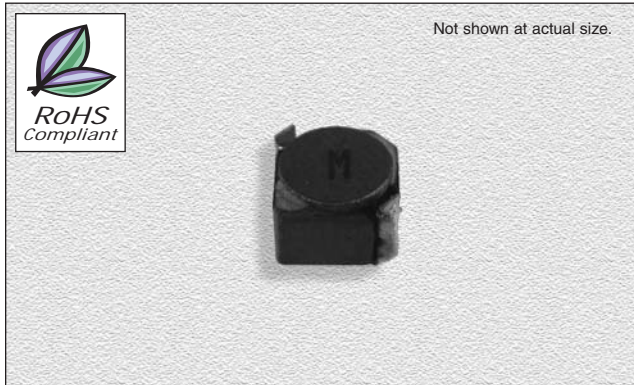


02-096F Series

From 3.3 μH to 47 μH



CHARACTERISTICS

Description: SMD (shielded) power inductor

Applications: Power supplies for VTR, OA equipment, LCD televisions, PC notebooks, portable communication equipment, DC/DC converters, etc.

Operating Temperature: -40°C to +85°C

Inductance Tolerance: $\pm 20\%$, $\pm 30\%$

Testing: Inductance is tested on an HP4285A at 100KHz, 0.1V

Packaging: Tape & Reel

Marking: Parts are marked with letter identifier.

Miscellaneous: **RoHS Compliant.**

Additional Information: Additional electrical & physical information available upon request

Samples available. See website for ordering information.

SPECIFICATIONS

Part numbers indicate available inductance tolerance:

M = $\pm 20\%$, N = $\pm 30\%$

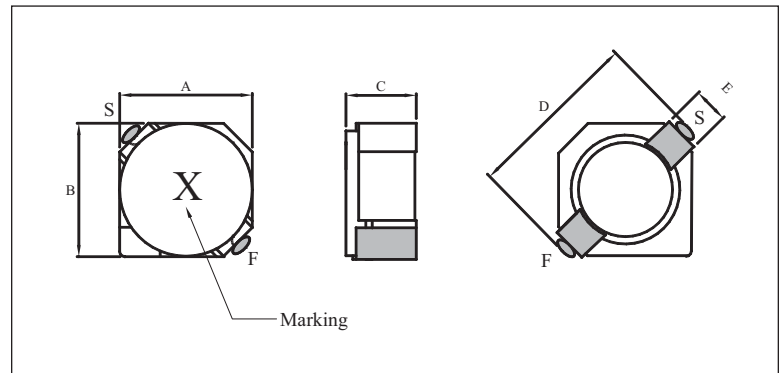
Inductance drop = 35% typ. at Isat.

$\Delta T = 40^\circ\text{C}$ rise at Irms.

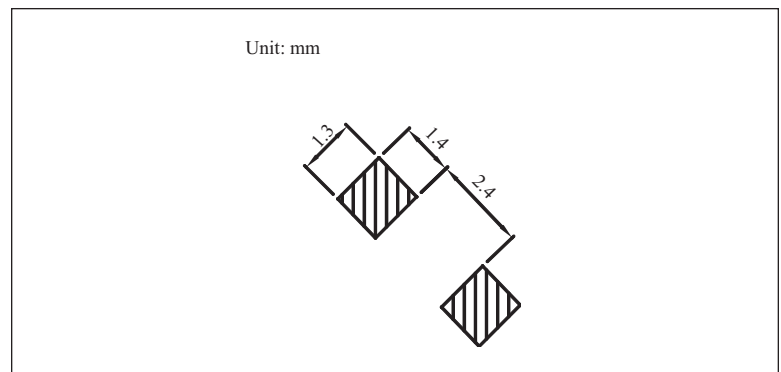
Part Number	Marking	Inductance at 100kHz (μH)	Irms Max. (A)	Isat Max. (A)	DCR Max. (Ω)
02-096F-3R3N	D	3.30	1.85	2.00	0.0721
02-096F-4R7N	E	4.70	1.62	1.65	0.0883
02-096F-6R8N	F	6.80	1.32	1.24	0.1190
02-096F-100M	G	10.0	1.18	1.05	0.1450
02-096F-150M	I	15.0	1.02	0.90	0.2130
02-096F-220M	K	22.0	0.74	0.76	0.3350
02-096F-330M	M	33.0	0.63	0.58	0.4810
02-096F-470M	O	47.0	0.56	0.48	0.5990

PHYSICAL DIMENSIONS

Size	A Max.	B Max.	C Max.	D Max.	E Ref.
mm	4.0	4.0	3.0	5.2	1.0
inches	0.16	0.16	0.12	0.20	0.04



RECOMMENDED LAND PATTERN



02.09.09