

## 02-088F Series

From 1.5  $\mu\text{H}$  to 12  $\mu\text{H}$

### SPECIFICATIONS

Part are available in  $\pm 30\%$  tolerance only

Part Number	Inductance ( $\mu\text{H}$ )	Test Freq. (KHz)	DCR Max. (m $\Omega$ )	Rated DC Current (A)	Temp. Rise Current Typ. (A)
02-088F-1R5N	1.5	100	63	1.80	1.80
02-088F-1R8N	1.8	100	75	1.65	1.80
02-088F-2R2N	2.2	100	114	1.50	1.50
02-088F-2R7N	2.7	100	116	1.35	1.40
02-088F-3R3N	3.3	100	158	1.20	1.24
02-088F-3R9N	3.9	100	205	1.10	1.12
02-088F-4R7N	4.7	100	238	1.00	1.00
02-088F-5R6N	5.6	100	256	0.95	0.98
02-088F-6R8N	6.8	100	282	0.85	0.92
02-088F-8R2N	8.2	100	307	0.80	0.80
02-088F-100N	10	100	338	0.70	0.76
02-088F-120N	12	100	470	0.62	0.64



### CHARACTERISTICS

**Description:** SMD (shielded) power inductor

**Applications:** Power supplies for VTR, OA equipment, LCD televisions, PC notebooks, portable communication equipment, DC/DC converters, etc.

**Operating Temperature:**  $-30^{\circ}\text{C}$  to  $+100^{\circ}\text{C}$

**Rated Current:** The rated current indicates the current when the inductance decreases to 65% over its nominal or D.C. current when the temperature rising  $\Delta T=40^{\circ}\text{C}$  lower, whichever is lower.

**Inductance Tolerance:**  $\pm 30\%$

**Testing:** Tested on a HP4285A at 100 KHz , 0.25Vrms , 0Adc

**Packaging:** Tape & Reel

**Marking:** Parts are marked with inductance code.

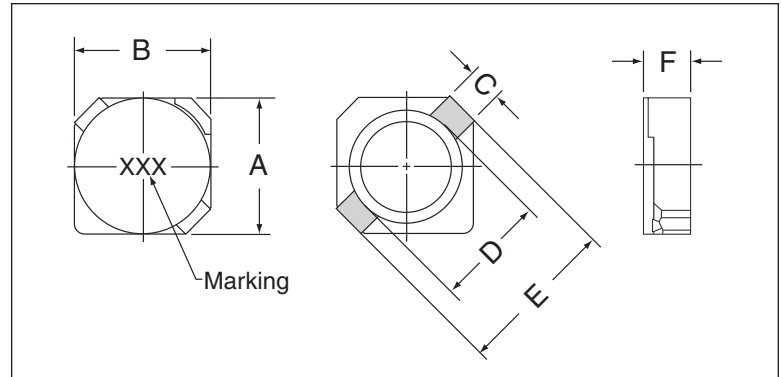
**Miscellaneous:** RoHS Compliant

**Additional Information:** Additional electrical & physical information available upon request

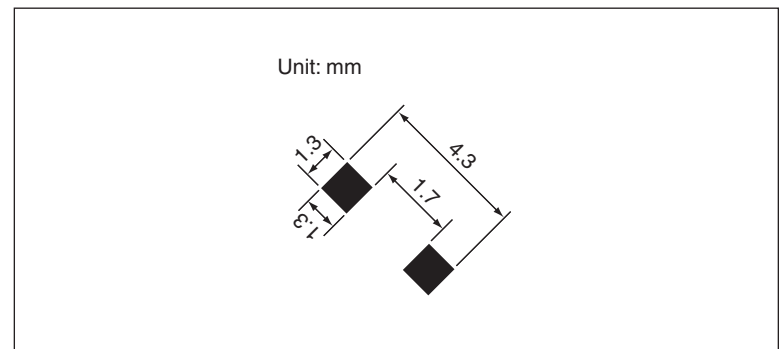
**Samples available. See website for ordering information.**

### PHYSICAL DIMENSIONS

Size	A Max.	B Max.	C	D	E	F Max.
mm	3.2	3.2	1.0	2.1	3.3	1.55
inches	0.126	0.126	0.04	0.08	0.130	0.061



### PAD LAYOUT



12.26.06