

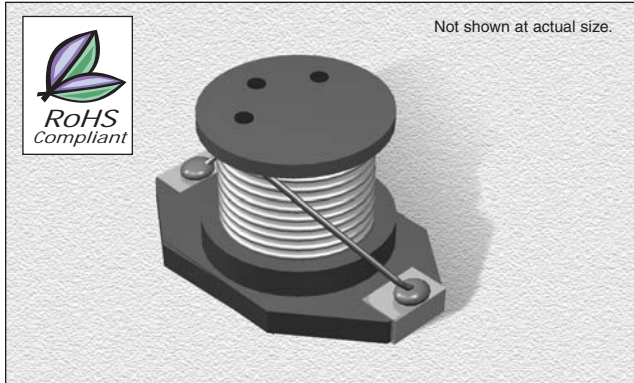
# 02-183F Series

From 10  $\mu\text{H}$  to 1,000  $\mu\text{H}$

## SPECIFICATIONS

Parts are available in  $\pm 20\%$  tolerance only.

Part Number	Inductance ( $\mu\text{H}$ )	L Test Freq. (kHz)	DCR ( $\Omega$ )	Isat (A)	I <sub>rms</sub> (A)
02-183F-103	10	100	.03	8.0	3.5
02-183F-153	15	100	.04	7.0	3.0
02-183F-223	22	100	.05	5.5	2.5
02-183F-333	33	100	.08	4.0	2.0
02-183F-473	47	100	.10	3.8	1.6
02-183F-683	68	100	.17	3.0	1.2
02-183F-104	100	100	.22	2.5	1.2
02-183F-154	150	100	.34	2.0	.90
02-183F-224	220	100	.44	1.6	.70
02-183F-334	330	100	.70	1.2	.60
02-183F-474	470	100	.95	1.0	.30
02-183F-684	680	100	1.2	1.0	.20
02-183F-105	1000	100	2.0	.80	.10



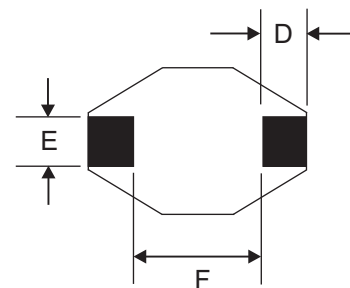
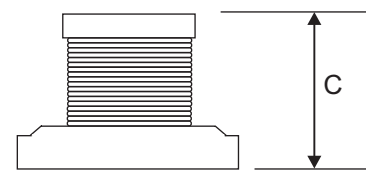
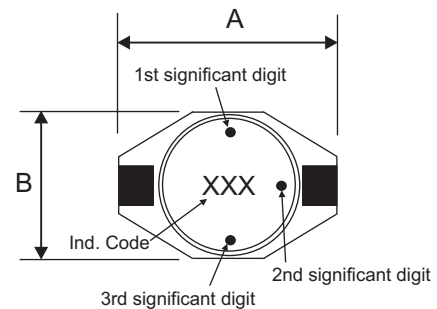
## PHYSICAL DIMENSIONS

Size	A Max.	B Max.	C Max.	D	E	F
mm	12.95	9.4	11.43	2.54	2.54	7.62
inches	0.51	0.37	0.45	0.1	0.1	0.3

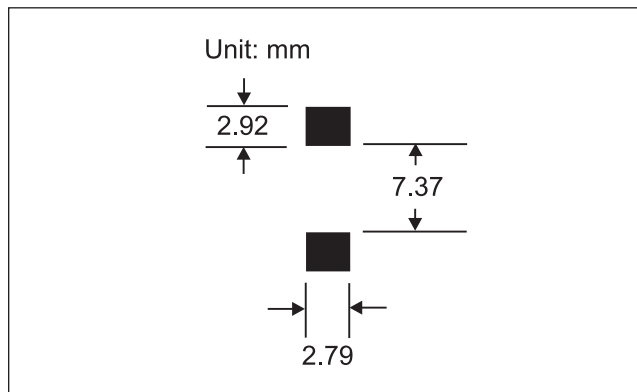
## CHARACTERISTICS

- Description:** SMD power inductor
- Applications:** DC/DC converters, computers, LCD displays, telecommunication equipment and PDA palm tops.
- Operating Temperature:**  $-40^{\circ}\text{C}$  to  $+85^{\circ}\text{C}$
- Inductance Tolerance:**  $\pm 20\%$
- Inductance Drop:** 10% typically at Isat
- Testing:** Inductance is tested on an HP4285A at 100 kHz
- Packaging:** Tape & Reel
- Marking:** Color dots OR Inductance code
- Miscellaneous:** **RoHS Compliant.**
- Additional Information:** Additional electrical & physical information available upon request
- Samples available. See website for ordering information.**

Parts will be marked with Significant Digit Dots OR Inductance Code



## PAD LAYOUT



01.11.10