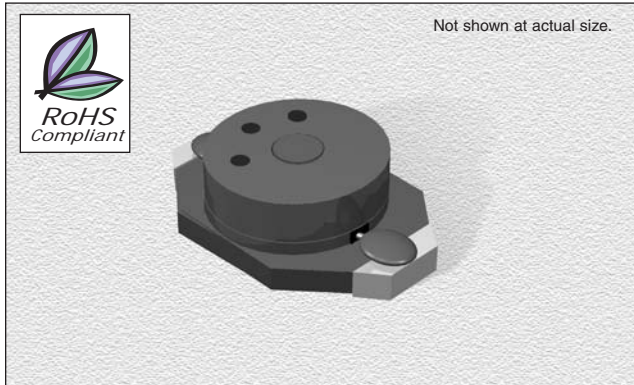


# 02-128F Series

## From 1.0 $\mu\text{H}$ to 1,000 $\mu\text{H}$

### SPECIFICATIONS

Parts are available in  $\pm 20\%$  tolerance only.



Part Number	SPECIFICATIONS		OPERATING PARAMETERS				
	0 ADC Inductance ( $\mu\text{H} \pm 20\%$ )	DCR Max. ( $\Omega$ )	Inductance Rating ( $\mu\text{H}$ )	L Test Freq. (kHz)	Max. Current Rating (A)	Energy Storage ( $\mu\text{Joules}$ )	Max. Switch Freq.
02-128CF-102	1.0	.05	.60	100	2.0	1.8	1.0 MHz
02-128CF-152	1.5	.05	.80	100	1.9	1.8	1.0 MHz
02-128CF-222	2.2	.06	.90	100	1.5	1.8	1.0 MHz
02-128CF-332	3.3	.07	1.5	100	1.2	1.4	1.0 MHz
02-128CF-472	4.7	.08	2.0	100	1.2	1.6	1.0 MHz
02-128CF-682	6.8	.09	3.0	100	1.0	1.9	1.0 MHz
02-128CF-103	10	.10	5.0	100	.70	1.2	1.0 MHz
02-128CF-153	15	.14	6.0	100	.60	1.1	1.0 MHz
02-128CF-223	22	.16	10	100	.50	1.2	1.0 MHz
02-128CF-333	33	.28	12	100	.45	1.5	1.0 MHz
02-128CF-473	47	.34	20	100	.34	1.3	1.0 MHz
02-128CF-683	68	.58	30	100	.29	1.4	1.0 MHz
02-128CF-104	100	1.1	40	100	.24	1.5	1.0 MHz
02-128CF-154	150	1.4	60	100	.20	1.4	500 kHz
02-128CF-224	220	2.3	90	100	.17	1.6	500 kHz
02-128CF-334	330	2.9	100	100	.16	1.4	500 kHz
02-128CF-474	470	3.6	150	100	.14	1.5	500 kHz
02-128CF-684	680	4.6	200	100	.12	1.4	500 kHz
02-128CF-105	1000	8.1	400	100	.08	1.4	500 kHz

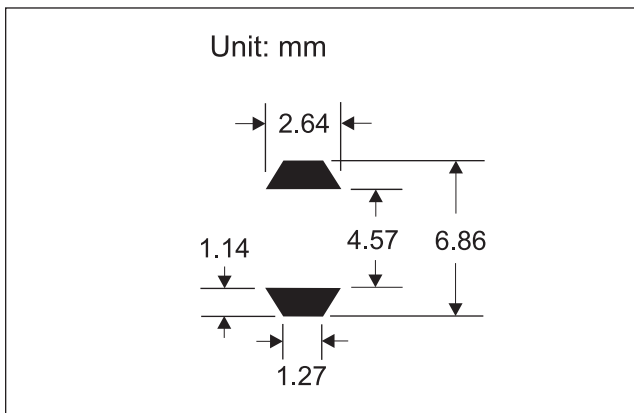
### CHARACTERISTICS

- Description:** SMD (shielded) power inductor
- Applications:** DC/DC converters, computers, LCD displays and telecommunication equipment
- Operating Temperature:**  $-40^{\circ}\text{C}$  to  $+85^{\circ}\text{C}$
- Inductance Tolerance:**  $\pm 20\%$
- Testing:** Inductance is tested on a HP4285A at 100 kHz
- Packaging:** Tape & Reel
- Marking:** Color dots OR Inductance code
- Miscellaneous:** **RoHS Compliant.** Magnetically shielded
- Additional Information:** Additional electrical & physical information available upon request
- Samples available.** See website for ordering information.

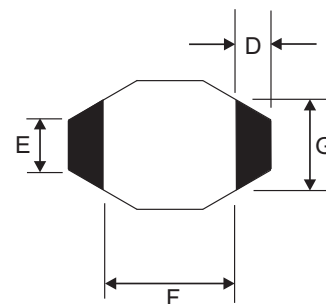
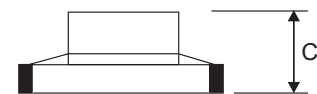
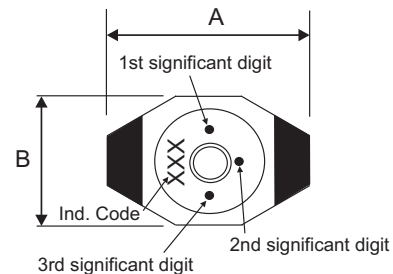
### PHYSICAL DIMENSIONS

Size	A Max.	B Max.	C Max.	D	E	F	G
mm	6.58	4.45	2.92	0.78	1.27	4.80	2.34
inches	0.26	0.18	0.12	0.03	0.05	0.19	0.09

### PAD LAYOUT



Parts will be marked with Significant Digit Dots OR Inductance Code



01.12.10