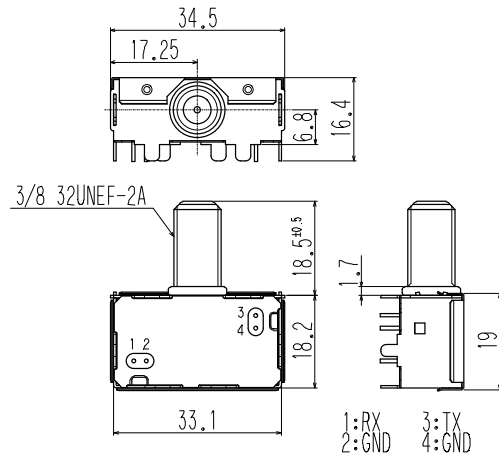
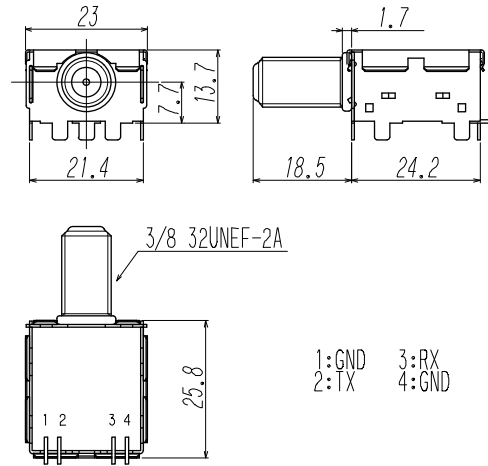


TYPE DIP1A and DIP2A



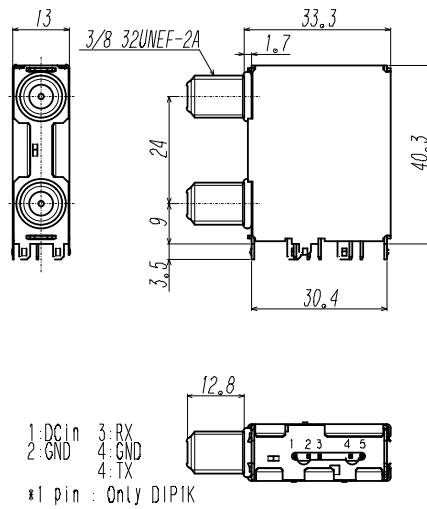
(Unit: mm)

TYPE DIP1S



(Unit: mm)

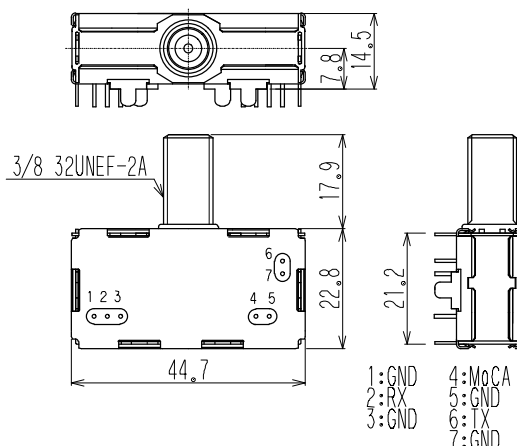
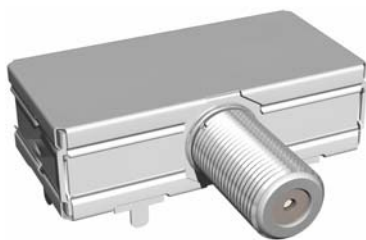
TYPE DIP1H and DIP1K



(Unit: mm)

The distributor is built into DIP1H 分配器内蔵、 The distributo and LNA is built into DIP1K 分配器及びLNA内蔵

TYPE TRP1A



(Unit: mm)

Features

- Diplexer for digital CATV set top box and cable modem.
- Integrated type of Tx and Rx in the shield body with F connector.
- Low-profile : DIP1A and DIP1S, Narrow bottom area : DIP1H and DIP1K
- Connecting F type connector to cable and mounting TX and RX terminals on PCB ensure high performance diplexer.
- DIP1A with IEC61000-4-5 Level 4, UL60950-1 section 7 Lightning surge protection circuit.
- DIP1H is a protection circuit of four IEC61000-4-5 levelsurge, and with built-in distributor .
- DIP1K is LNA add to DIP1H.
- Designed to meet DOCSIS2.0, DOCSIS3.0,ANSI/SCTE.
- TRP1A for MoCA Set.
- RoHS compliant

Applications

- Suitable for designing Open-cable set top box and Cable-Modem for Europe, USA and Asia
- Suitable for designing MoCA set top box

特長

- デジタルCATVセットトップボックス用及びケーブルモデム用ダイプレクサ
- 金属シールドで覆われたF型コネクタ付きTx・Rx一体型構造
- 横型低背のDIP1A、DIP1Sタイプ、縦型省実装面積のDIP1H、DIP1Kタイプをラインナップ
- ケーブル接続用F型コネクタを組み込むことにより、TX、RX端子を基板上で接続するだけで高性能なダイプレクサが実現可能
- DIP1AにはIEC61000-4-5 レベル4, UL60950-1 section 7 対応サージ保護回路実装
- DIP1HはIEC61000-4-5 レベル4 サージ保護回路、分配器内蔵
- DIP1Kは、DIP1HにLNAを追加
- DOCSIS2.0,DOCSIS3.0, ANSI/SCTE対応
- MoCA Set 向けTRP1A
- RoHS 指令対応

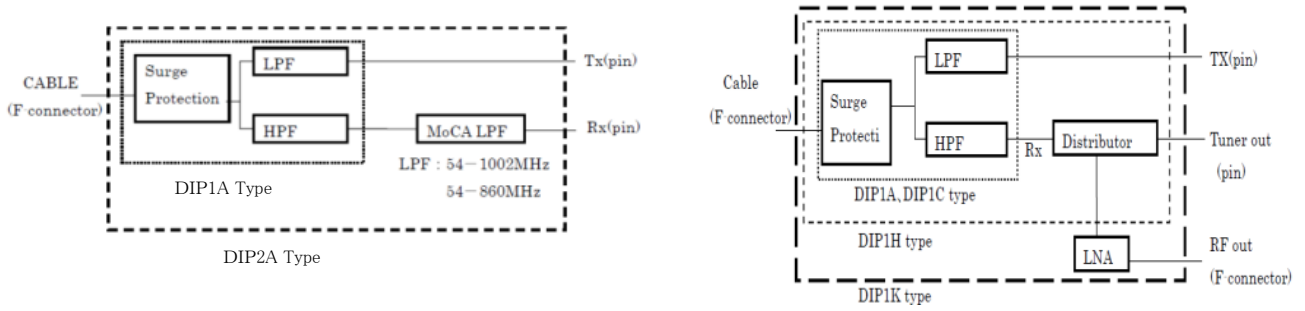
用途

- 欧米、アジア地域のオープンケーブル仕様向けセットトップボックス、ケーブルモデムに最適
- MoCA セットトップボックスに最適

Specifications 仕様

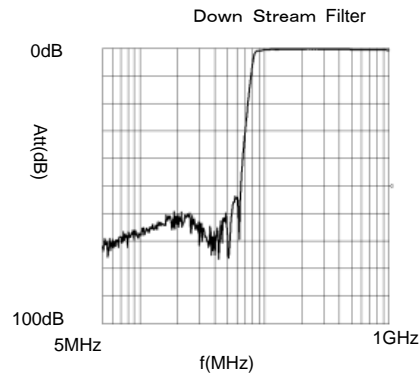
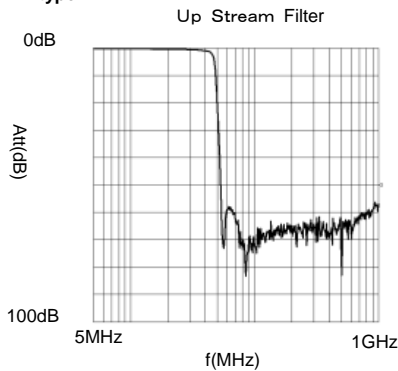
Location	TOKO Parts.NO.	Region of Applications	Pass-band		Lightning Surge Protection	DOCSIS
			Down Stream Filter	Up Stream Filter		
USA	#R975ABITN-1141A	DIP1A	5-42(MHz)	54-860(MHz)	IEC61000-4-5 Level4	DOCSIS2.0
	#R975ABITN-1180A	DIP1A	5-42(MHz)	54-1002(MHz)	IEC61000-4-5 Level4	DOCSIS3.0
	#R975ABITN-1183A	DIP1A	5-85(MHz)	108-1002(MHz)	IEC61000-4-5 Level4	DOCSIS3.0
	R1246ABIRN-1003	DIP1S	5-42(MHz)	54-1002(MHz)	IEC61000-4-5 Level4	DOCSIS3.0
	R1257ABNZN-1005	DIP2A	5-42(MHz)	BPF :54-1002(MHz)	IEC61000-4-5 Level4	DOCSIS3.0, MoCA Rejection
	R1190ABIZD-1003	TRP1A	5-42(MHz)	BPF :54-1002(MHz) Add MoCA BPF : 1125-1525(MHz)	IEC61000-4-5 Level4	DOCSIS3.0, MoCA
Euro China	#R975ABJVN-1142A	DIP1A	5-65(MHz)	88-860(MHz)	IEC61000-4-5 Level4	DOCSIS2.0
	#R975ABJVN-1181A	DIP1A	5-65(MHz)	88-1002(MHz)	IEC61000-4-5 Level4	DOCSIS3.0
	R1246ABJTN-1001A	DIP1S	5-65(MHz)	88-1002(MHz)	IEC61000-4-5 Level4	DOCSIS3.0
Japan	#R975ABITN-1143A	DIP1A	5-55(MHz)	90-860(MHz)	IEC61000-4-5 Level4	DOCSIS2.0
	#R975ABITN-1182A	DIP1A	5-55(MHz)	90-1002(MHz)	IEC61000-4-5 Level4	DOCSIS3.0
	#R975ABISN-1204	DIP1A	5-65(MHz)	76-1002(MHz)	IEC61000-4-5 Level4	DOCSIS3.0
	R1086ACITN-1001	DIP1H	5-55(MHz)	90-860(MHz)	IEC61000-4-5 Level4	DOCSIS2.0, Distributor
	R1182ACIZN-1003	DIP1K	5-55(MHz)	90-860(MHz)	IEC61000-4-5 Level4	DOCSIS2.0, Distributor, LNA

Schematic 概要

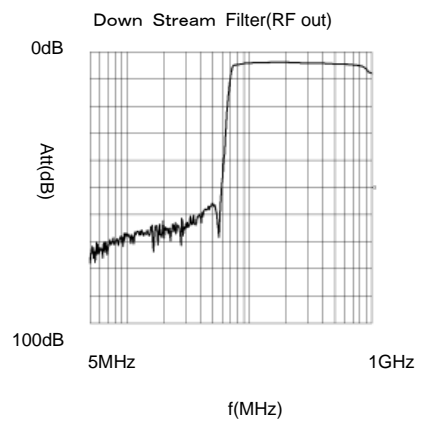
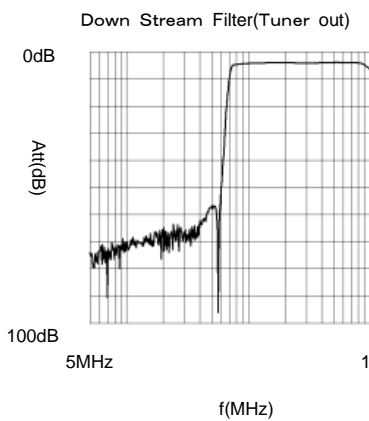
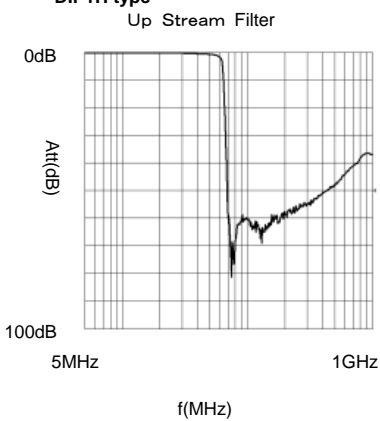


Frequency Characteristics 周波数特性

Typical Characteristic 代表特性例
DIP1A type



DIP1H type



TRP1A type.

